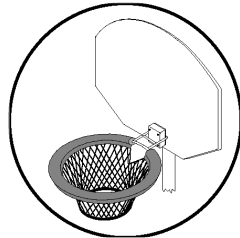


JumpSport™

JumpCourt™ Basketball Goal Instructions



Instructions

IMPORTANT: Read the Manual, the warnings, and the precautionary statements supplied with this product before assembly or use.

Tools required:

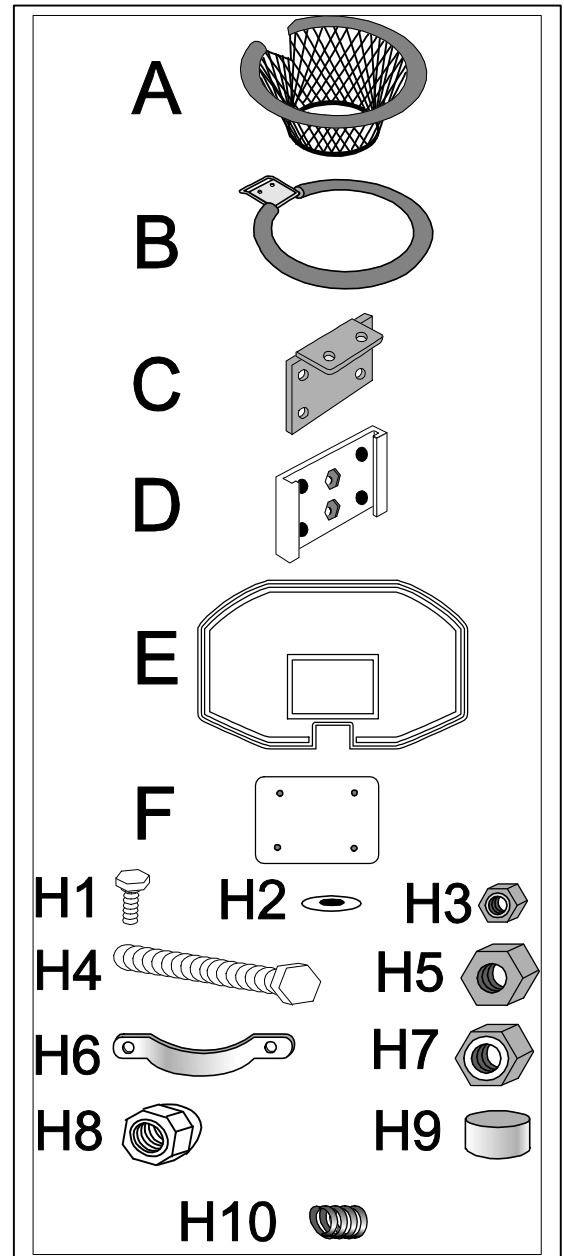
Adjustable Crescent Wrench
"A-Frame" Ladder

This product is designed for residential use only, and to be used only as specified. Not intended for public use.

U.S. Patent #6053845, 6261207, and Patents Pending

Ref. #	Part Number	Description	Qty.
A	BB-NET-X-0006	Net Assembly	1
B	BB-HOO-X-0275	Basketball Hoop (with foam)	1
C	BB-PLA-X-0359	Front Plate with Tongue	1
D	BB-PLA-X-0272	Front Plate with Tracks	1
E	BB-GRA-J-0280	Backboard	1
F	BB-PLA-X-0360	Back Plate (Flat)	1
	BB-BAL-J-0003	Basketball	1
H1	BB-BOL-X-0361	Short Bolt	2
H2	BB-WAS-X-0362	Washer	4
H3	BB-NUT-X-0363	M8 Hex Nut with Nylon Insert	2
H4	BB-BOL-X-0278	Long Bolt	4
H5	BB-NUT-X-0364	M10 Hex Nut	4
H6	BB-CLA-X-0276	Pole Clamp	2
H7	BB-NUT-X-0279	M10 Hex Nut with Nylon Insert	4
H8	BB-NUT-X-0277	M10 Acorn nut	4
H9	BB-CAP-X-0285	Plastic Cap	1
H10	BB-SPR-X-0555	Small Spring for Eyebolt Cover	1

If you need to order replacement parts, need help, or have any questions
-call toll free 1-888-448-JUMP (5867)
(outside of the United States call: 408-866-3120)



WARNING

JumpSport® has taken great strides to provide you with products that are fun *and encourage safe play*. These games enable children (and adults) to play in a controlled environment, under proper supervision.

USING A TRAMPOLINE AND PLAYING GAMES WITH THIS BASKETBALL BACKBOARD CAN BE FUN FOR BOTH ADULTS AND KIDS, BUT IT IS NOT "CHILD'S PLAY." FAILURE TO OBSERVE THE FOLLOWING PRECAUTIONS AND RECOMMENDATIONS IS DANGEROUS AND CAN CAUSE SERIOUS INJURIES, INCLUDING BROKEN BONES, CUTS, STRANGULATION, CONCUSSIONS, NERVE DAMAGE, SPINAL CORD OR BRAIN INJURY, OR DEATH.

BEFORE INSTALLING AND USING YOUR BASKETBALL BACKBOARD, YOU MUST READ AND UNDERSTAND THE FOLLOWING PRECAUTIONS:

- ✓ Read, understand, and follow all of the warnings, precautionary statements, and instructions, and use recommendations from your trampoline manufacturer.
- ✓ Observe all rules specified on the warning placard and warning labels that came with your JumpSport safety enclosure system. In the event that this information has been misplaced, please contact us immediately for a replacement.
- ✓ The Basketball Backboard should be used only as described in these instructions, or in other official JumpSport™ literature. The apparatus must only be mounted on an JumpSport™ safety enclosure system, and never on any other poles, boards, or in any other manner.
- ✓ Only one person at a time should be on the trampoline using the Basketball Backboard. This precaution is for the safety of all players. Never play "one-on-one," "two-on-two," or other multi-player games with the system.
- ✓ Children under the age of 6 should not jump on trampolines or participate on the trampoline.
- ✓ To avoid injury, never climb or hang on the Backboard or hoop, or on the poles or safety netting of the JumpSport™ apparatus. Sure . . . we've all seen professional basketball players slam dunk the ball and hang from the rim, however, your JumpSport™ Backboard is *not* designed for this kind of use.
- ✓ Remove all jewelry, watches, and hair clips before using the Backboard.
- ✓ Wear smooth clothing free of protrusions, hooks, loops, or buttons that might get caught when coming in contact with the netting, straps, or other parts of the JumpSport™ apparatus. Do not wear clothing with hoods or drawstrings when jumping or playing on the trampoline.
- ✓ Do not attach other apparatus to the Backboard unless it is a JumpSport™ approved accessory AND is intended for such a use.
- ✓ Always wear suitable shoes or gym slippers when playing with the Backboard.
- ✓ Do not allow individuals to play inside the enclosure without observation from close by. Children should always be supervised and observed by a responsible, knowledgeable adult.
- ✓ Do not allow individuals under the influence of alcohol or drugs to play or participate in games using the Backboard.
- ✓ When not in use, store the basketball provided with your backboard in a dry location.

Attach net to hoop

1 Orient the hoop (B) so that the rod at the end of the hoop arm is slanted downwards. Install net (A) onto rim using Velcro.

Hoop assembly:

2 Insert front plate with tongue (C) into slot on hoop arm so that tongue on front plate is above rod, and **below** plate on hoop arm.

Join using short bolts (H1), washers (H2) and Nuts (H3). Tighten securely

3 Slide front plate (C) into steel plate with tracks (D).

Prepare JumpCourt pole for installation

4 Select one of the poles of the JumpCourt for installing the Basketball hoop. This pole should be in a safe location away from the door, and have no obstructions nearby. Remove ball end cap from the pole (reinstalling the eyebolt and tee nut). Note: If the eyebolt has a plastic cover over the hook, call for some modifications, or visit the "Assembly Tips" link at www.jumpsport.com. Install plastic cap (H9) at top of pole.

On the pole with the backboard, switch the upper U-bolt attaching the safety enclosure pole to the trampoline frame so that the ends face **OUTWARD** from the Trampoline. Make sure to cut threads of U-bolt if they protrude after tightening U-bolt, and re-install acorn nuts. This is important to prevent potential injuries.

Build backboard

5) Place the hoop assembly onto the front of the backboard (E), and back plate (F) on back of backboard. Insert long bolts (H4) through the front plate, backboard, and back plate. Thread hex nuts (H5) onto bolts until assembly is tight.

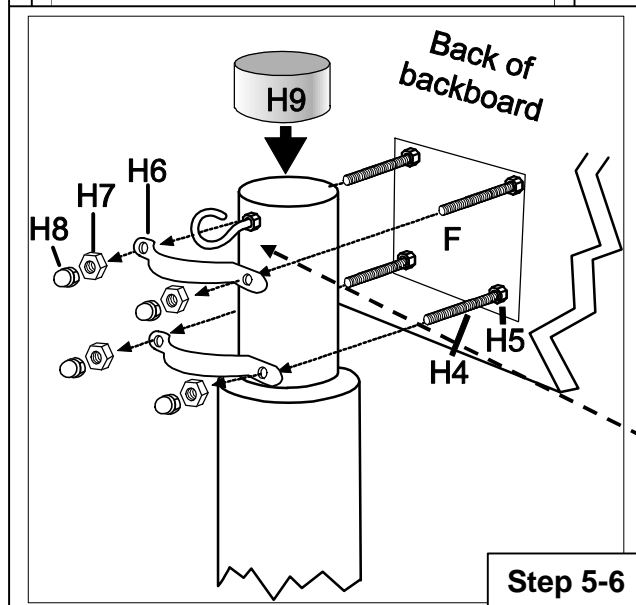
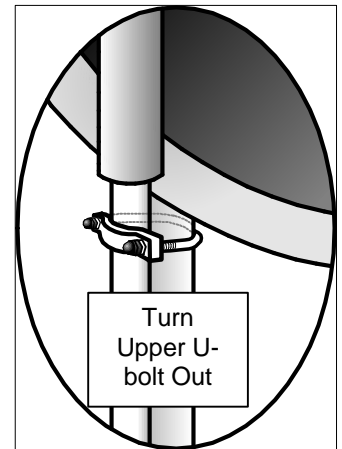
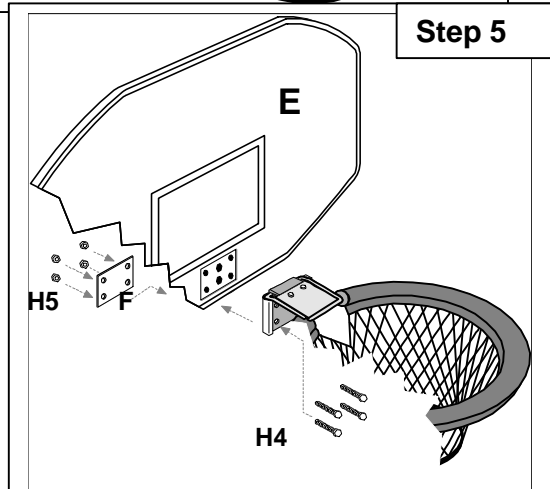
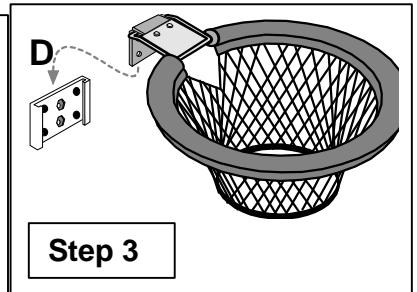
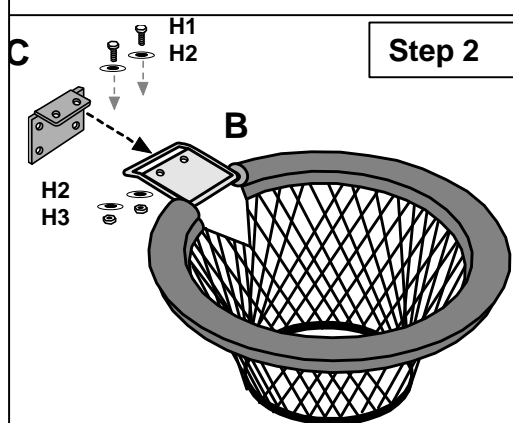
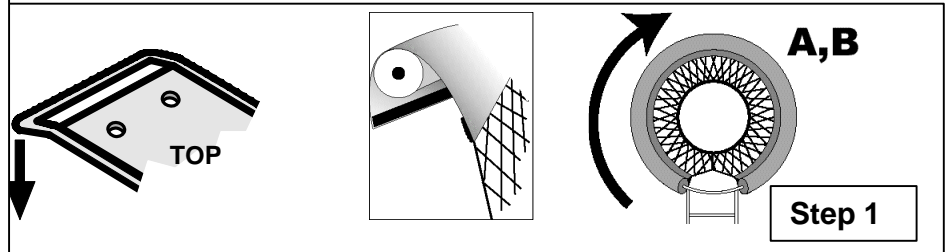
Install backboard onto pole

6 With the bolts straddling the JumpCourt pole (just below the eyebolt) install clamps (H6), and Hex nuts with nylon inserts (H7). Tighten evenly, using wrench. Hand-tighten acorn nuts (H8) on to end of bolts. Note: If the eyebolt assembly has an eyebolt cover over the hook, see installation on next page.

Make sure to re-install the safety enclosure net into the eyebolt hook if it had been removed.

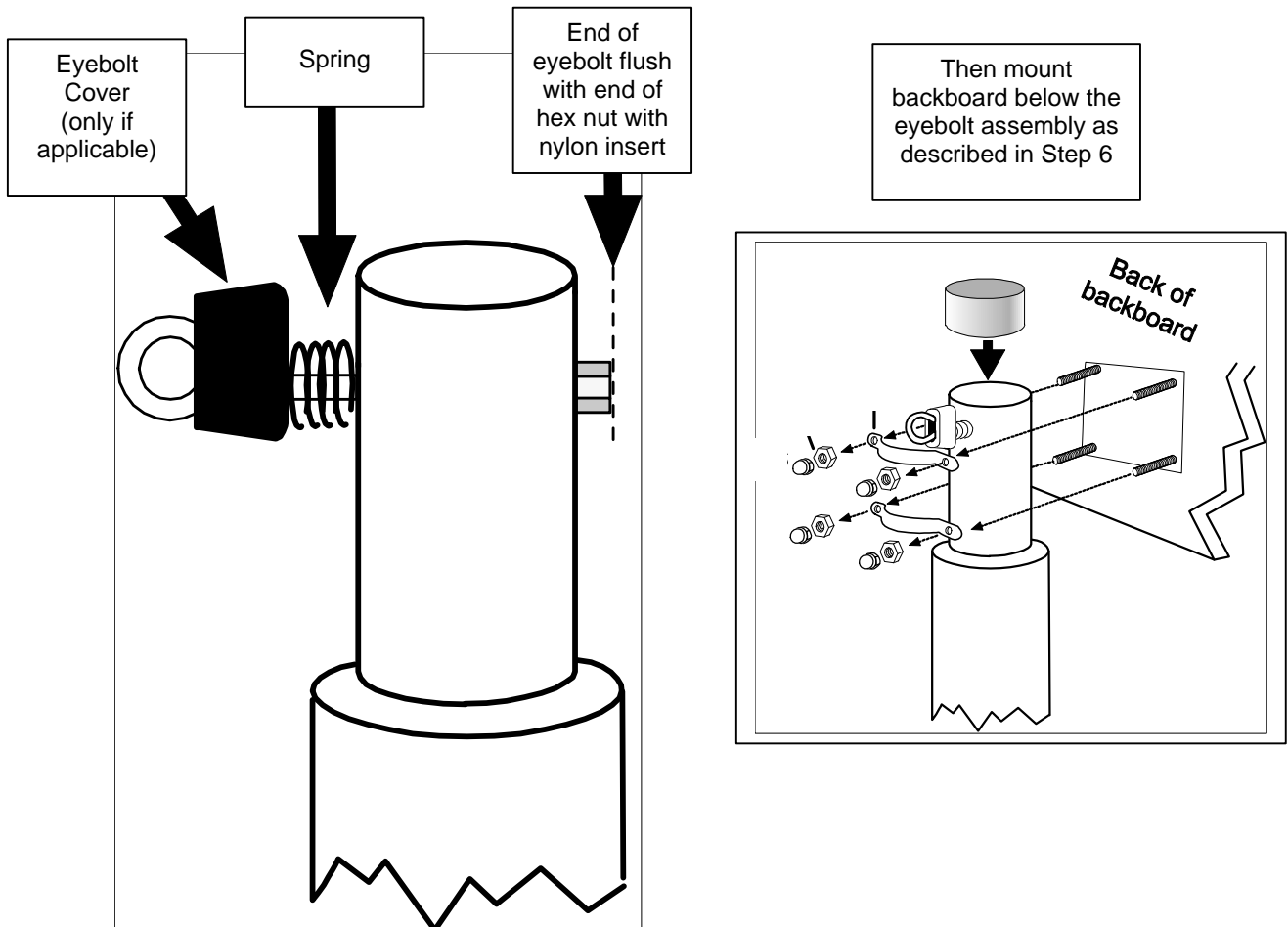
Important: Please read safety information included with this manual. **FOR YOUR SAFETY AND THE PROLONGED USE OF YOUR BACKBOARD, DO NOT HANG ON BACKBOARD. BACKBOARD IS NOT DESIGNED FOR SUCH USE, AND MAY BREAK IF USED THIS WAY.**

Enjoy your product!

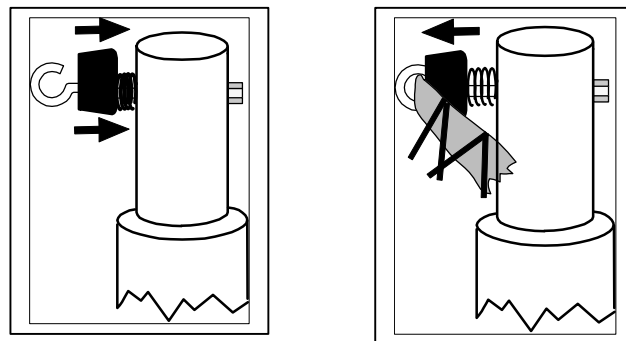


Note: If you have an eyebolt assembly with an eyebolt cover. **See Next Page.**

If the eyebolt assembly on the safety enclosure includes an eyebolt cover, place the included spring between the eyebolt cover and the pole, and secure to pole with the hex nut with nylon insert. Tighten until the end of the eyebolt is flush with the end of the hex nut (acorn nut will not be used).



Install backboard assembly to the end of the pole as outlined in the instruction manual, and then hook the net into the eyebolt hook by pushing eyebolt cover toward pole. When net is in place, let the spring return the cover to close the hook.



JumpSport™ Basketball Backboard 90-Day Limited Warranty

What is covered by this warranty? This warranty covers any defects in materials or workmanship on the all of the components of the basketball backboard, hoop (excluding the net), and ball supplied with your purchase. Damage to the product as a result of hanging from the rim is NOT covered under this warranty.

How long does this coverage last? This warranty runs for 90 days from the date of purchase indicated on your original sales receipt.

What will JumpSport do? JumpSport (or your retailer) will, at its election, either replace or repair defective components, or fully refund your purchase price.

What is *not* covered by this warranty? This warranty does *not* cover the net supplied with your purchase, nor does it cover any problem with the backboard, hoop, or ball that is caused by abuse, misuse, ordinary wear and tear, acts of God (such as lightning), failure to follow directions, improper installation, or improper maintenance. This warranty also does not cover fading or discoloration caused by exposure to sunlight or the effects of weather. This warranty also does not cover any part of the JumpCourt™ safety enclosure system or any part of the trampoline to which the backboard apparatus will be attached. Also, consequential and incidental damages are not recoverable under this warranty.

Limitation of implied warranties. Any implied warranties, including the implied warranties of merchantability and fitness for a particular purpose, are limited to the duration of this written warranty, specified above.

What do I have to do to get service? If there is a problem with any component of the AIR JAM™ basketball backboard, hoop (excluding the net), or the ball covered by this warranty, return the defective item, *together with your original cash register receipt*, to your retailer. If you purchased your unit directly from JumpSport, please call our toll-free number for warranty support service. You may be required to send the defective item to JumpSport postage prepaid to determine warranty coverage. After inspecting the returned part(s), if we determine that the part is covered by this warranty, we will promptly send you the repaired/replacement part(s), or a full refund, at our election. Please allow 3 to 4 weeks for delivery.

Application of state law. This warranty gives you specific legal rights, and you may also have other rights which vary from state to state. Some states do not allow the exclusion or limitation of incidental or consequential damages or of implied warranties, so one or more of these exclusions or limitations specified above may not apply to you.