

JumpSport®



AirJam Basketball Set User's Manual

⚠️ WARNING

Read these materials prior to assembling and using this basketball set



DO NOT attempt or allow somersaults. Landing on the head or neck can cause serious injury, paralysis or death, even when landing in the middle of the bed.



DO NOT allow more than one person on the trampoline. DO NOT allow more than one person inside the trampoline enclosure. Use by more than one person at the same time can result in serious injury.

Use trampoline only with mature, knowledgeable supervision.



DO NOT attempt to jump over the barrier.



DO NOT intentionally rebound off the barrier.

DO NOT hang from, kick, cut or climb on the barrier.

Retain address information for future use.

JumpSport, Inc.
2055 South 7th Street, Suite A
San Jose, CA 95112 U.S.A.

408-213-2551
www.jumpsport.com

Copyright Notice

This material is protected by the United States copyright laws and is proprietary to JumpSport, Inc. Disclosure, reproduction, translation, modification, or use of this document by anyone other than authorized employees, authorized users, or licensees of JumpSport without the prior written consent of JumpSport, Inc. is prohibited.

The information in this document is subject to change without notice. JumpSport, Inc. shall not be liable for any damages resulting from technical errors or omissions, which may be present in this document, or from use of this document.

Copyright © 1998-2006, by JumpSport, Inc. All rights reserved.

Printed: 2006

Instruction Manual P/N: INS-P-10402B

JumpSport AirJam Basketball Set P/N: BBJ-S-10391A

Trademarks

JumpSport® and AirJam™ Basketball Set are trademarks of JumpSport, Inc.

All other brand or product names are trademarks or registered trademarks of their respective companies or organizations.

Patents

This product includes technology associated with one or more of the following U.S. Patents:

No. 6,053,845

No. 6,261,207

No. 6,840,891

No. 6,846,271

Additional Patents Pending.

How to Contact Customer Support

Should you require customer service or technical support for your JumpSport AirJam Basketball Set, please contact JumpSport's Customer Service department at:

408-213-2551

8:00am – 5:00pm Monday through Friday, Pacific Time



Before installing and using your AirJam Basketball Set, you must read and follow all safety rules on this page.

WARNING

It is the responsibility of the owner to become familiar with the safety rules and to convey these rules to all users.

- Read and follow all of the warnings and use instructions for your trampoline and safety enclosure.
- Read and follow all rules specified on the warning labels that came with your trampoline, safety enclosure, and basketball set. If labels or signs become lost or unreadable, please contact us immediately for free replacements.
- The AirJam Basketball Set should be used only as described in this manual. The basketball set must only be mounted on a JumpSport safety enclosure system. It should never be mounted on any other device, structure, or in any manner not described in this manual. Do not attach anything to the basketball set or safety enclosure that is not a manufacturer-approved accessory or part of the enclosure system.
- DO NOT allow more than one person on the trampoline. DO NOT allow more than one person inside the trampoline enclosure. Use by more than one person at the same time can result in serious injury. This includes “one-on-one” type games and any other games or activities where more than one person is on the trampoline at the same time.
- Trampolines over 20 inches (51 cm) tall are not recommended for use by children under 6 years of age.
- Do not hang from, kick, cut or climb on any part of the basketball set or safety enclosure.
- Remove all jewelry, watches, and hair clips before using the basketball set.
- Wear clothing free of drawstrings, hooks, loops or anything that could get caught in the basketball set or safety enclosure.
- Do not use the trampoline or basketball set while under the influence of alcohol or drugs.
- Do not install the basketball set on a pole that is near or over a missing or damaged frame pad.
- When not in use, store the basketball provided with your set in a dry location.
- Use the trampoline and basketball set only with mature, knowledgeable supervision.

Overhead Clearance	Adequate overhead clearance is essential. A minimum of 24 feet from ground level is recommended. Provide clearance for wires, tree limbs, and other possible hazards.
Lateral Clearance	Lateral clearance is essential. Place the basketball set away from walls, structures, fences, and other play areas. Maintain a clear space on all sides of the trampoline and trampoline enclosure.
Level Surface	Place the trampoline and trampoline enclosure on a level surface before installing and using the basketball set.
Lighting	Use the basketball set in a well-lighted area. Artificial illumination may be required for indoor or shady areas.
Security	Secure the trampoline and trampoline enclosure against unauthorized and unsupervised use.
Underneath Clearance	Remove any obstructions from beneath the trampoline and trampoline enclosure.

Note: *The trampoline enclosure is only to be used as an enclosure for a trampoline and the trampoline must be of the appropriate size as covered by the specific enclosure.*

Note: *The owner and supervisors of the trampoline are responsible to make all users aware of practices specified in the Use Instructions.*

Do not install the basketball set on a pole that is near or over a missing or damaged frame pad.

Assembly and Installation Instructions

Tools

Installation of the AirJam Basketball Set requires a 13mm hex wrench, a 14mm hex wrench, a 17mm hex wrench, and a Phillips screwdriver. 2 double-sided hex wrenches are included in Box #2 (see Reference #11 and #12 in the list below). An 8 foot A-Frame ladder will be useful for some Steps (use care and follow procedures for use). Safety glasses and gloves are also recommended for safety.

Parts List

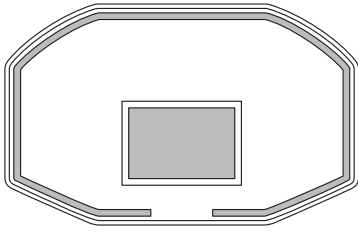
Your AirJam Basketball Set is shipped with the parts shown below. The backboard ships in one box, and all the other parts and hardware are shipped in a second box. If any parts are missing, immediately call JumpSport Customer Service at 408-213-2551.

Note: M10 bolts (and related hardware) are bigger in diameter than M8 bolts (and related hardware). The two wrenches are the only parts not shown on the following page.

Reference #	Part #	Description	Quantity	Box #
1	BAC-P-10373A	Backboard, JumpSport	1	1
2	TOO-P-10343A	Combo wrench with notch on handle (fits 14mm & 17mm hex heads)	1	2
3	TOO-P-10344A	Combo wrench (fits 13mm & 17mm hex heads)	1	2
4	PLA-P-10360A	Back plate, flat	1	2
5	PLA-P-10361A	Front plate with grooves	1	2
6	PLA-P-10362A	Front plate with tongue (fits front plate with grooves)	1	2
7	HOO-P-10363A	Hoop	1	2
8	NET-P-10339A	Net	1	2
9	BAL-P-10340A	Ball	1	2
10	SPR-P-10368A	Short spring, thin wire (fits eyebolt)	1	2
11	CAP-P-10341A	Cap with notch (fits poles with Picture A ball end cap with notch)	1	2
12	CAP-P-10369A	Standard cap (fits poles with Picture B ball end cap with eyebolt)	1	2
13	CLA-P-10342A	Pole clamp	2	2
14	BOL-P-10354A	M10 bolt, 95mm long	4	2
15	BOL-P-10365A	M10 bolt, 50mm long	2	2
16	WAS-P-10346A	M10 washer (fits M10 bolts)	4	2
17	NUT-P-10374A	M10 standard nut (fits M10 bolts)	4	2
18	NUT-P-10352A	M10 Nylock nut (fits M10 bolts)	4	2
19	NUT-P-10353A	M10 acorn nut (fits M10 bolts)	4	2
20	BOL-P-10356A	M8 bolt, 80mm long	1	2
21	BOL-P-10364A	M8 bolt, 25mm long	2	2
22	WAS-P-10357A	M8 washer (fits M8 bolts)	5	2
23	NUT-P-10358A	M8 Nylock nut (fits M8 bolts)	3	2
24	NUT-P-10359A	M8 acorn nut (fits M8 bolts)	1	2

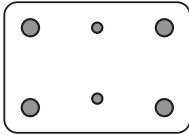
Assembly and Installation Instructions

Ref. #1

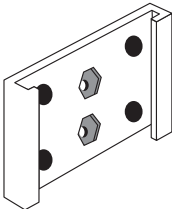


This basketball set is designed for 2 types of enclosure poles, so you will have extra parts after completing the installation.

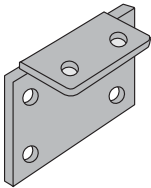
Ref. #4



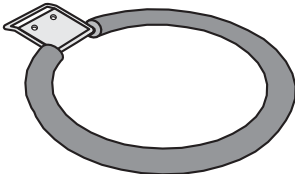
Ref. #5



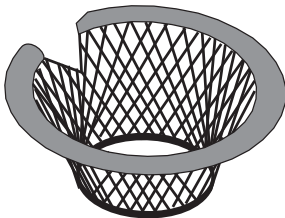
Ref. #6



Ref. #7



Ref. #8



Ref. #9



Ref. #10



Ref. #11



Ref. #12



Ref. #13



Ref. #14



Ref. #15



Ref. #16



Ref. #17



Ref. #18



Ref. #19



Ref. #20



Ref. #21



Ref. #22



Ref. #23



Ref. #24

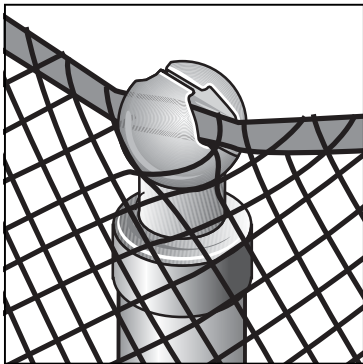


Bolt ruler
(shown to scale)

Assembly and Installation Instructions

Before you begin installing your AirJam Basketball Set, please check to see what kind of ball end cap you have installed at the top of your safety enclosure poles.

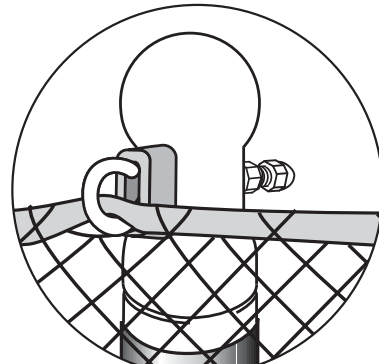
Ball end cap with notch
on top (no eyebolt)



Picture A

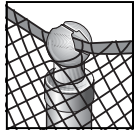
Type A assembly
instructions begin on
page 7

Ball end cap with eyebolt
(no notch)



Picture B

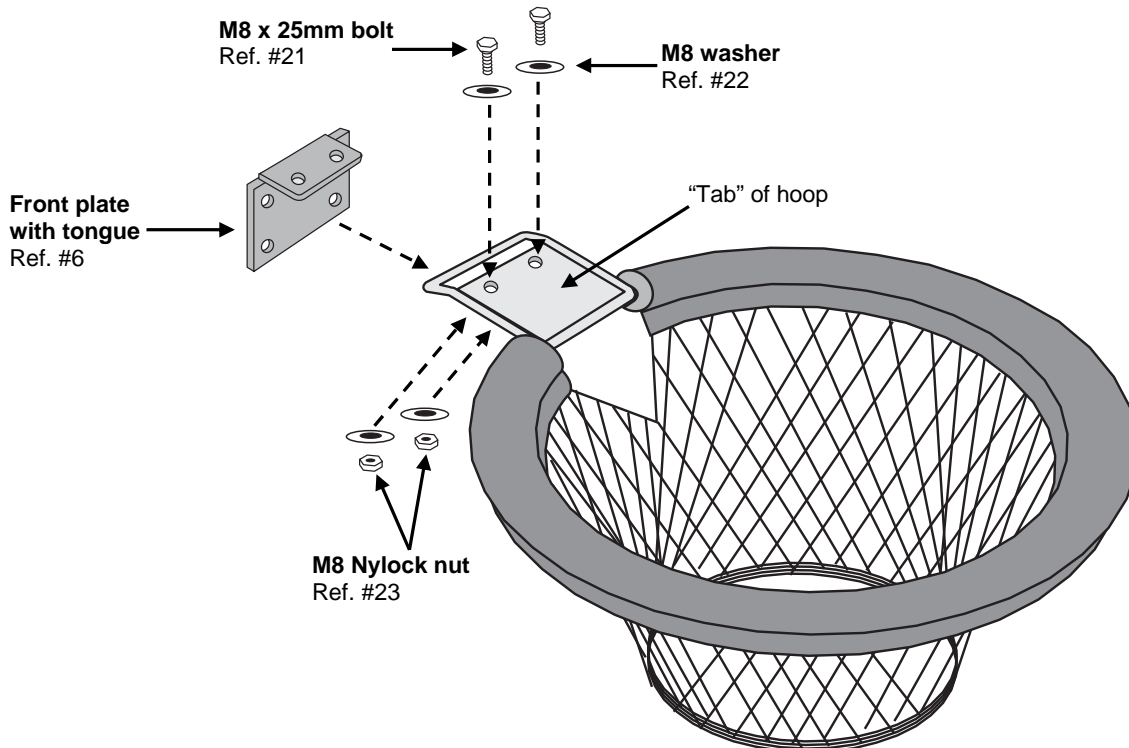
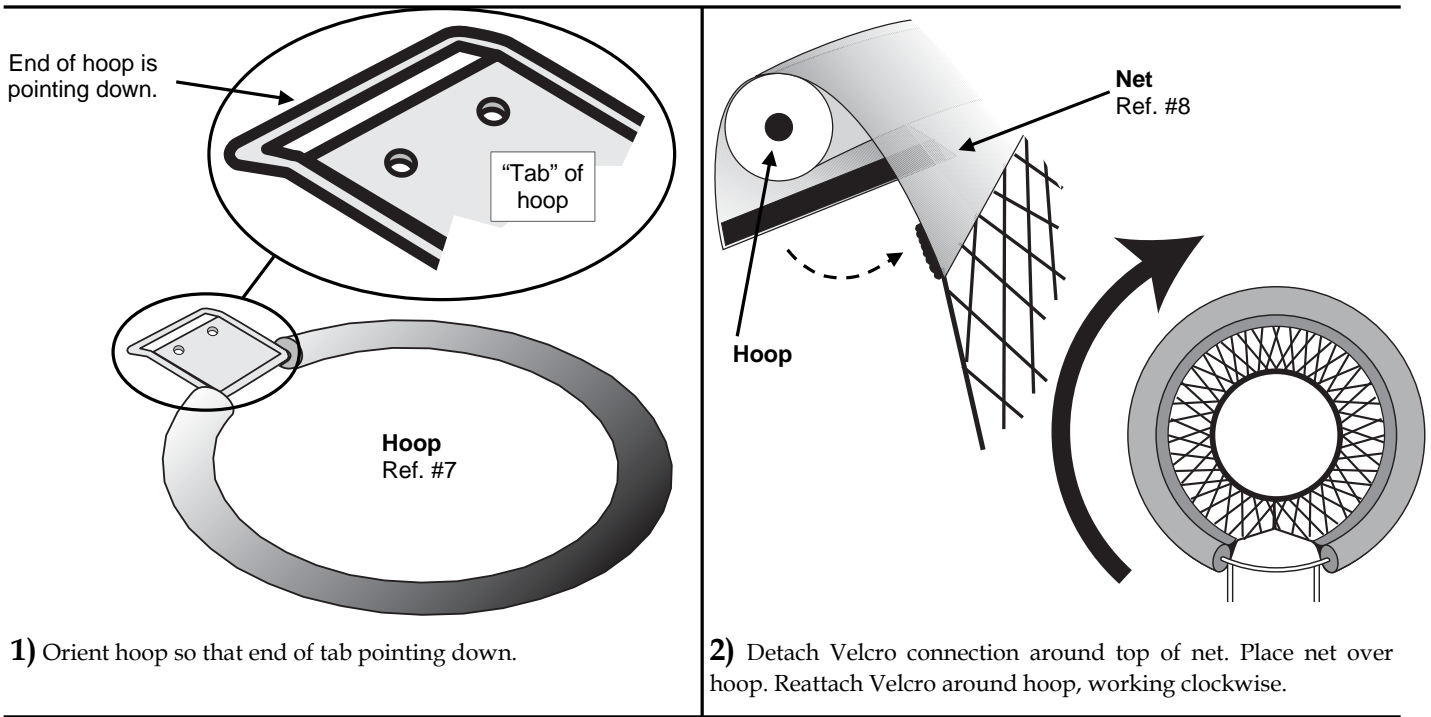
Type B assembly
instructions begin on
page 10



Assembly and Installation Instructions (Picture A)

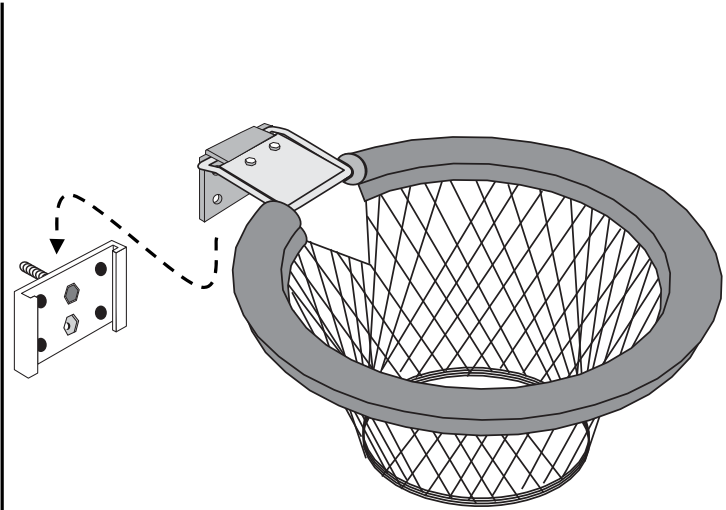
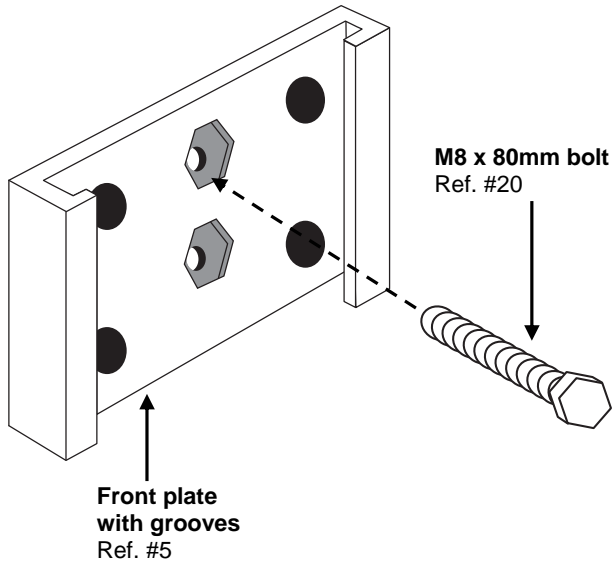
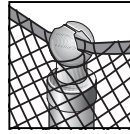
Type A Assembly

Note: Use pages 4 & 5 to help with part names and numbers. **Not all parts will be used for this installation.**



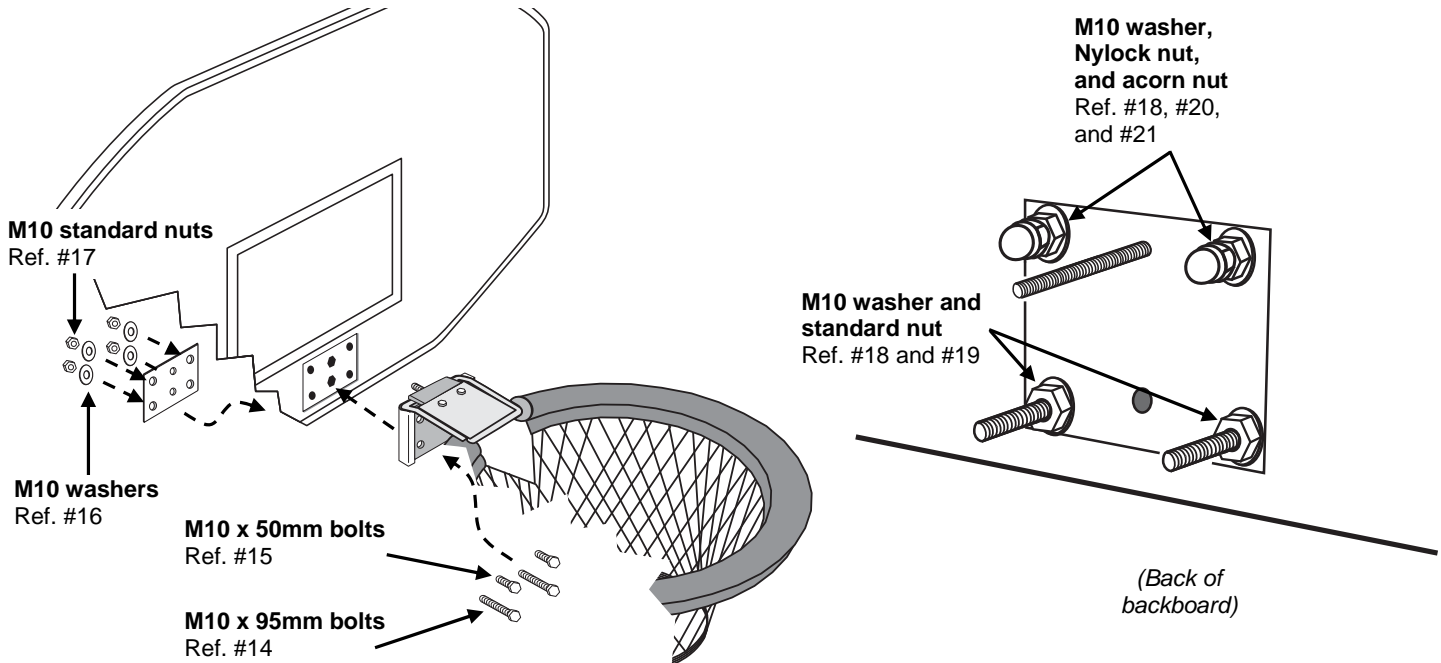
3) Insert front plate with tongue into slot on hoop tab so that tongue is above end of tab and below plate with screw holes. Connect front plate with tongue to hoop tab using two M8 x 25mm bolts, four M8 washers, and two M8 Nylock nuts. Tighten securely.

Assembly and Installation Instructions (Picture A)

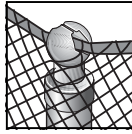


4) Now place an M8 x 80mm bolt through upper middle hole on front plate with tongue. To find which side of front plate with tongue is the top, place front plate on front of backboard and align holes of plate with holes in backboard. If the holes do not align, rotate front plate with tongue until it fits. Then install M8 x 80mm bolt into upper middle hole. Push it all the way in and rotate it until the hex head is flush with the front plate.

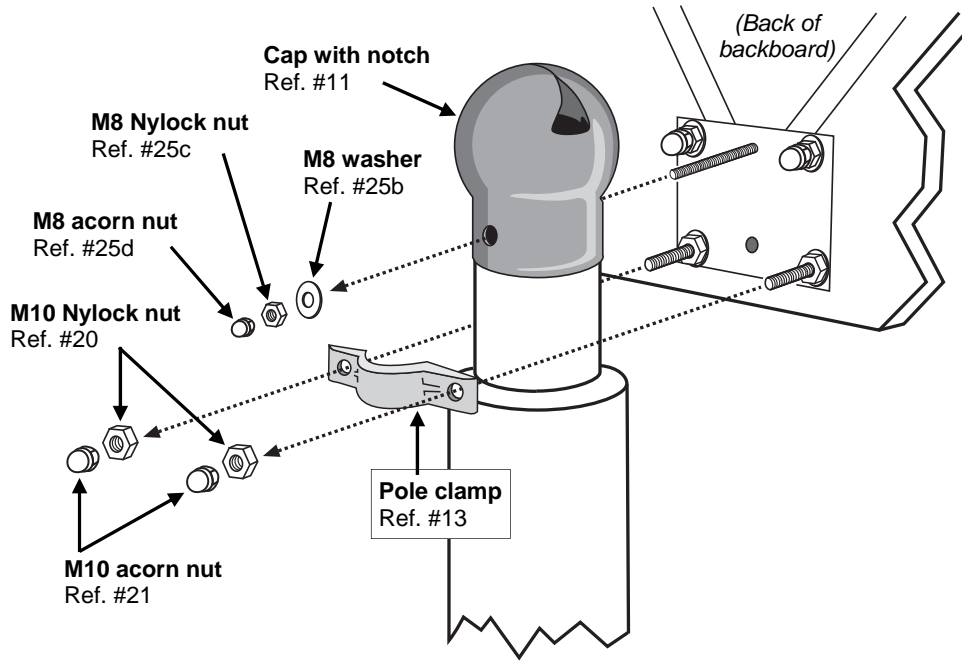
5) Slide front plate with tongue into front plate with grooves. You now have a completed hoop assembly.



6) Mount hoop assembly onto front of the backboard using two M10 x 50mm bolts and two M10 x 95mm bolts, as shown (M10 x 50mm bolts go in top two holes, M10 x 95mm bolts go in bottom two holes). Place flat back plate onto back of backboard over ends of the four bolts. Then place an M10 washer over each of the bolt ends (not the center M8 bolt). Next, tighten an M10 standard nut onto the bottom two bolts, and an M10 Nylock nut onto the top two bolts. Finally, *hand-tighten* an M10 acorn nut over top two M10 bolts only.

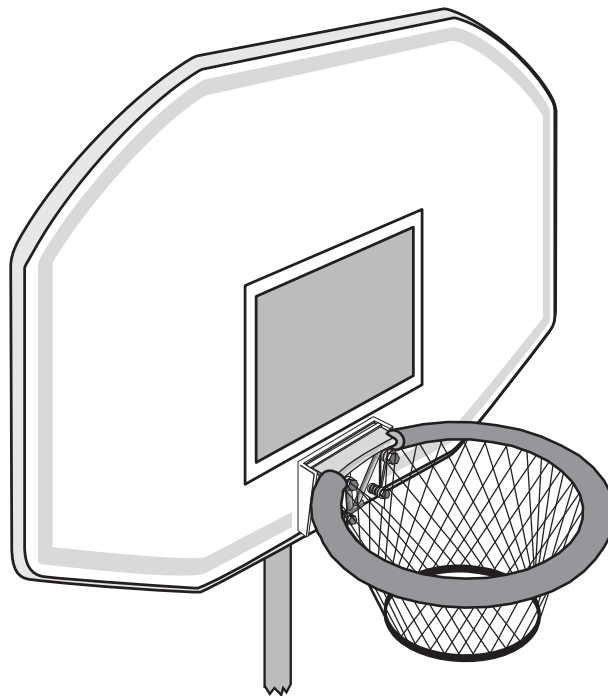


Assembly and Installation Instructions (Picture A)



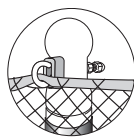
7) Important: Basketball Set should be installed on a pole directly opposite the entrance to the safety enclosure.

Remove existing ball end cap from pole. Install cap with notch to top of pole. With the bottom two M10 bolts straddling the enclosure pole install a pole clamp and two M10 Nylock nuts, as shown. M8 bolt should slide through hole in cap with notch. Place M8 washer and M8 Nylock nut over M8 bolt. Tighten all Nylock nuts evenly. Then *hand-tighten* acorn nuts on to end of bolts.



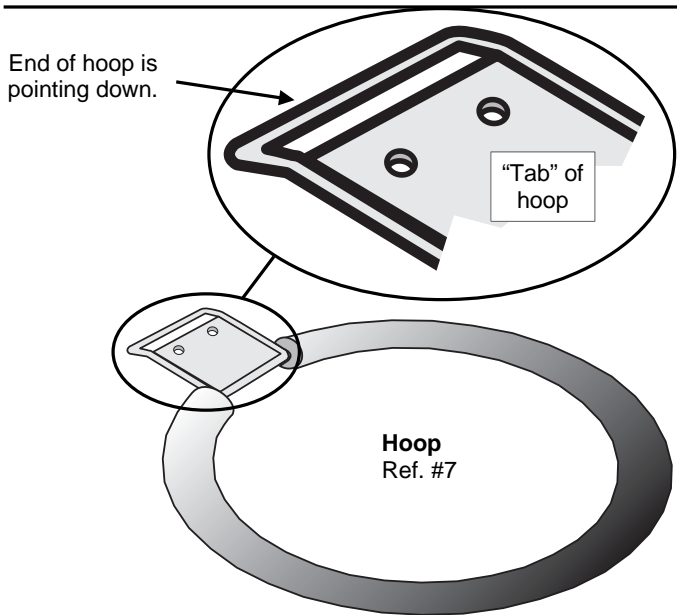
Your AirJam Basketball Set is now fully assembled and ready for use!

Please remember, do *not* hang from the basketball set.

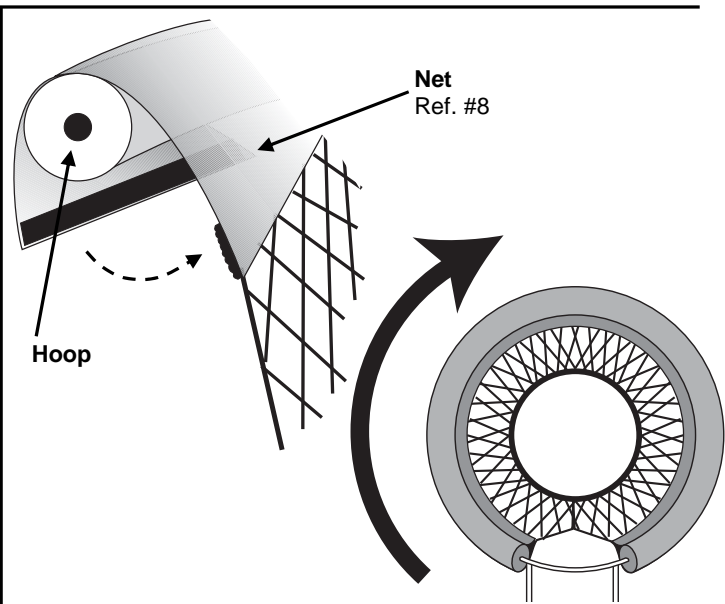


Type B Assembly

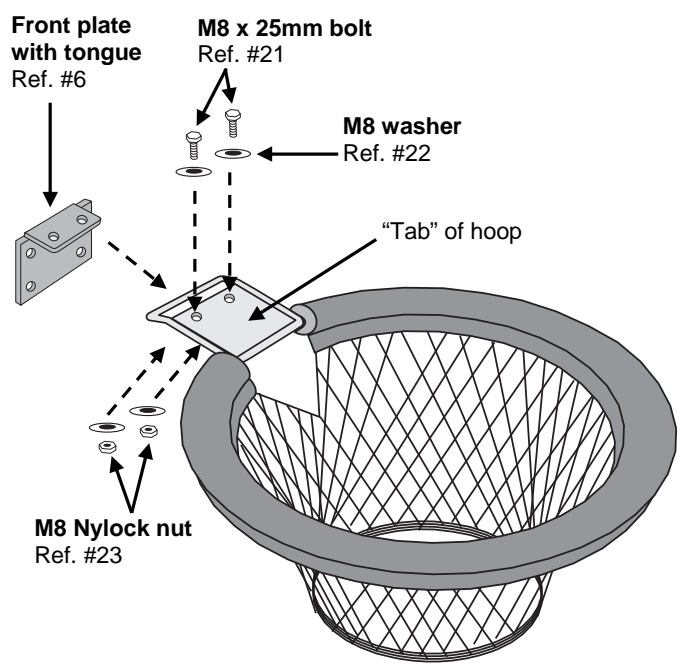
Note: Use pages 4 & 5 to help with part names and numbers. Not all parts will be used for this installation.



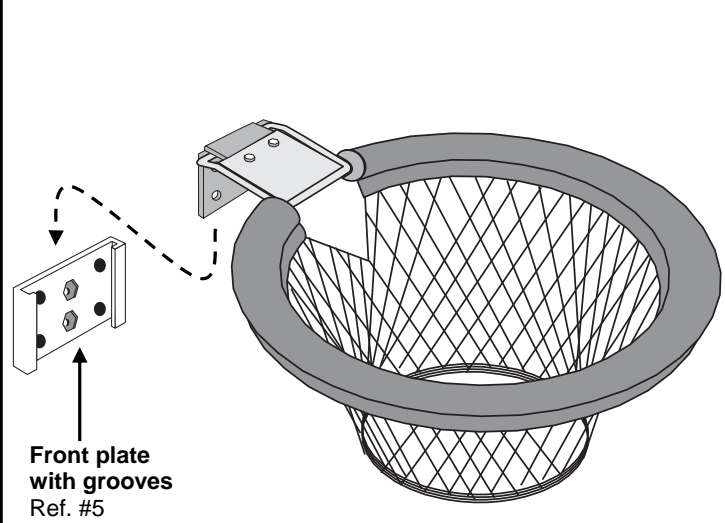
1) Orient hoop so that end of tab pointing down.



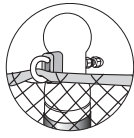
2) Detach Velcro connection around top of net. Place net over hoop. Reattach Velcro around hoop, working clockwise.



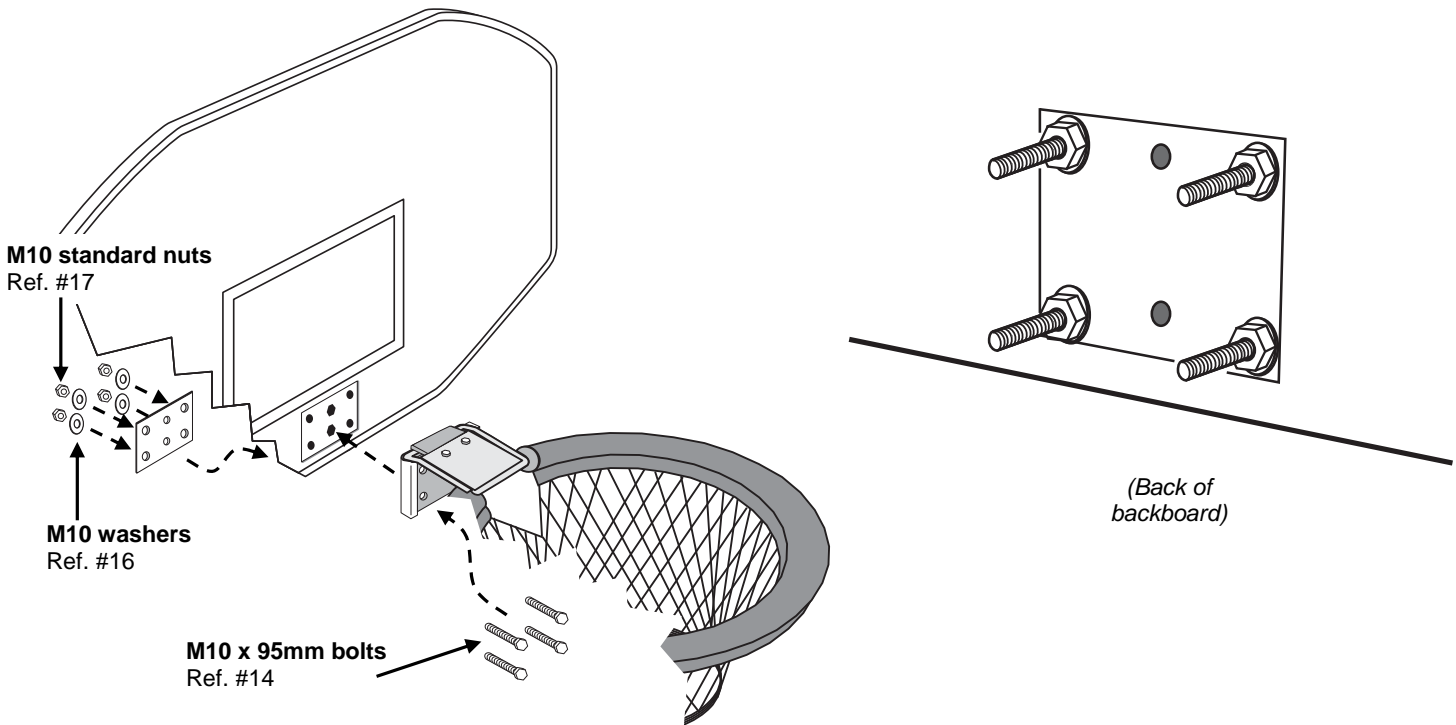
3) Insert front plate with tongue into slot on hoop tab so that tongue is above end of tab and below plate with screw holes. Connect front plate with tongue to hoop tab using two M8 x 25mm bolts, four M8 washers, and two M8 Nylock nuts. Tighten securely.



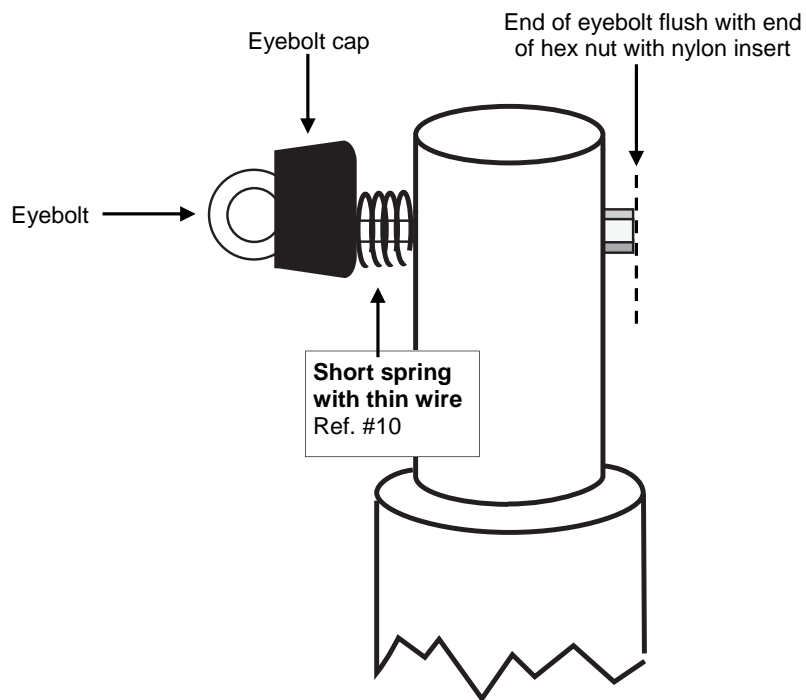
4) Slide front plate with tongue into front plate with grooves. You now have a completed hoop assembly.



Assembly and Installation Instructions (Picture B)



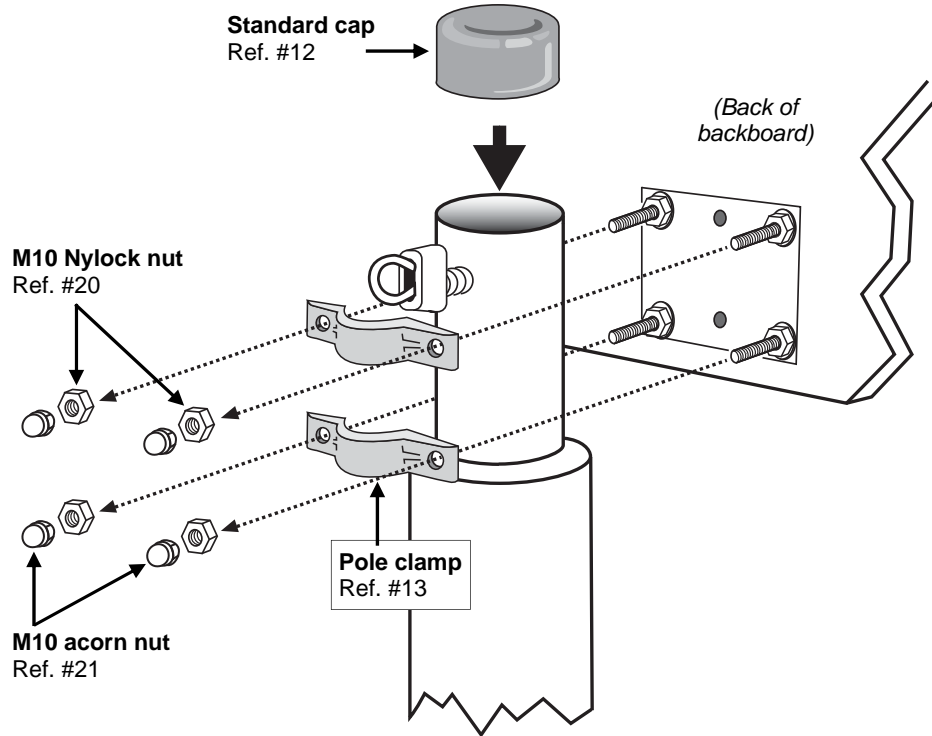
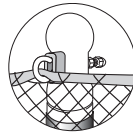
5) Mount hoop assembly onto front of the backboard using four M10 x 95mm bolts, as shown. Place flat back plate onto back of backboard over ends of the four M10 x 95mm bolts. Place an M10 washer over each of the bolt ends then tighten an M10 standard nut onto each of the bolts.



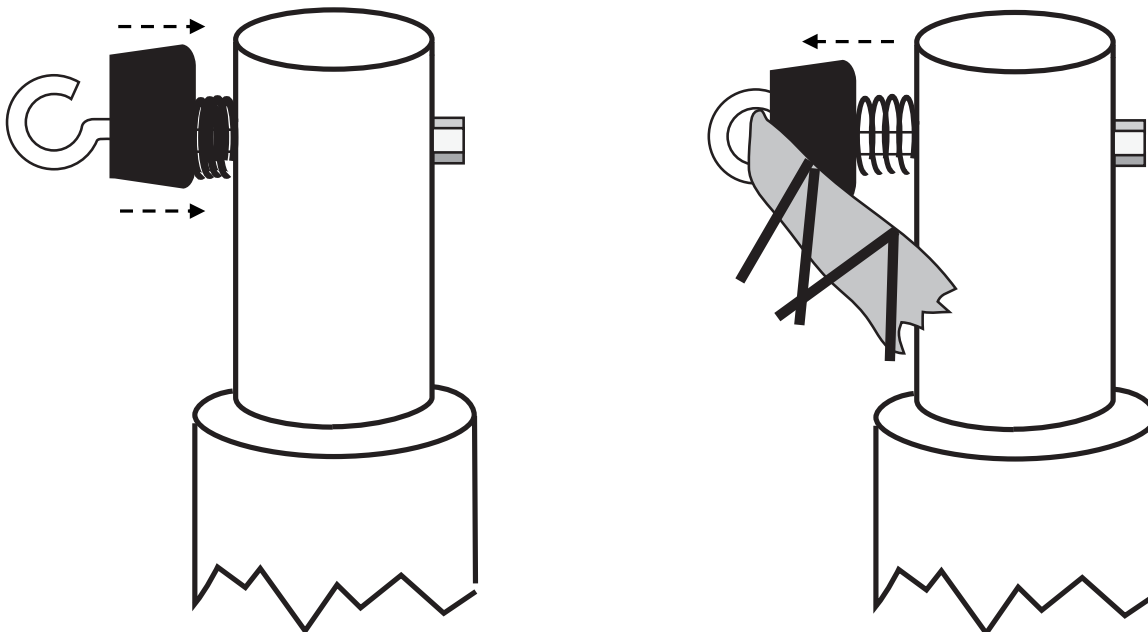
6) **Important:** Basketball Set should be installed on a pole directly opposite the entrance to the safety enclosure.

Remove ball end cap from pole. Reinstall eyebolt and Nylock nut, placing short spring with thin wire over eyebolt, between eyebolt cap and top of pole. Tighten Nylock nut just enough so end of eyebolt is flush with end of nut as shown.

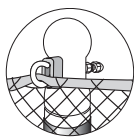
Assembly and Installation Instructions (Picture B)



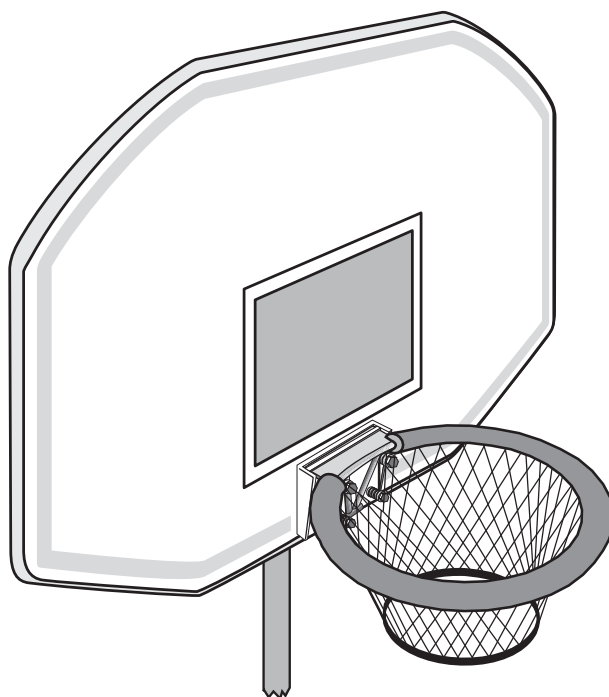
7) Install standard cap at top of pole. With the bolts straddling the enclosure pole (just below the eyebolt) install pole clamps and M10 Nylock nuts, as shown. Tighten all Nylock nuts evenly. Then *hand-tighten* acorn nuts on to end of M10 bolts.



8) After backboard is mounted, push eyebolt cap toward pole, then place net into eyebolt hook. When net is in place, let the spring return the eyebolt cap to close the hook.



Assembly and Installation Instructions (Picture B)



Your AirJam Basketball Set is now fully assembled and ready for use!

Please remember, do *not* hang from the basketball set.

Assembly and Installation Instructions (Picture B)



(This page left intentionally blank.)

JumpSport®

Limited 90 Day Warranty

What is covered by this warranty? This warranty covers any defects in materials or workmanship on all of the components of the JumpSport AirJam Basketball Set, and is extended exclusively to the original retail purchaser.

How long does this coverage last? Warranty coverage for each component begins from the original date of purchase and lasts for 90 days.

What will JumpSport do? If you return the defective part to JumpSport, as instructed below, JumpSport will either repair or replace such part, at JumpSport's discretion, and return it to you.

What is not covered by this warranty? This warranty does not cover expenses of on-site labor, travel, assembly or disassembly, or other charges associated with the repair or replacement of covered components. This warranty also does not cover any problem that is caused by abuse, misuse, ordinary wear and tear, weathering, acts of God (such as wind and lightning), failure to follow directions, improper installation, or improper maintenance. Rust is a natural occurrence with any outdoor steel product and is likewise not covered by this warranty, to the extent that it does not affect the structural integrity of the part. (This warranty does not cover the trampoline or any related safety enclosure to which the basketball set attaches. See individual trampoline and safety enclosure warranties for specific coverage details for those products.)

JUMPSPORT IS NOT RESPONSIBLE OR LIABLE FOR INDIRECT, SPECIAL, OR CONSEQUENTIAL DAMAGES ARISING OUT OF OR IN CONNECTION WITH THE USE OR PERFORMANCE OF THE PRODUCT OR OTHER DAMAGES WITH RESPECT TO ANY LOSS, INCLUDING BUT NOT LIMITED TO ECONOMIC LOSS, LOSS OF PROPERTY, LOSS OF REVENUE OR PROFITS, LOSS OF ENJOYMENT OR USE, COST OF REMOVAL, INSTALLATION OR OTHER CONSEQUENTIAL DAMAGES. SOME STATES DO NOT ALLOW THE EXCLUSION OR LIMITATION OF INCIDENTAL OR CONSEQUENTIAL DAMAGES. ACCORDINGLY, THE ABOVE LIMITATION MAY NOT APPLY TO YOU.

THE WARRANTY EXTENDED HEREUNDER IS IN LIEU OF ALL OTHER WARRANTIES AND ANY IMPLIED WARRANTY OF MERCHANTABILITY OR FITNESS FOR A PARTICULAR PURPOSE IS LIMITED IN ITS SCOPE AND DURATION TO THE TERMS SET FORTH HEREIN. SOME STATES DO NOT ALLOW LIMITATIONS ON HOW LONG AN IMPLIED WARRANTY LASTS. ACCORDINGLY, THE ABOVE LIMITATION MAY NOT APPLY TO YOU.

How to get a defective part replaced:

- 1) Call the JumpSport Customer Service department at 408-213-2551 to obtain a Return Authorization number. All returns must be pre-authorized.
- 2) Send the part(s) to the designated Service Center, along with a copy of your original sales receipt and a brief written description of the problem, including how it occurred. You must pay freight and insurance to return the part to JumpSport. At JumpSport's sole discretion, we may ask you to send photographs in addition to or in lieu of returning the part.
- 3) After inspecting the returned part(s), JumpSport will make a final determination whether the part is covered by this warranty. We reserve the right to examine photographs or physical evidence concerning parts claimed to be defective prior to making a final determination concerning the claim. A repaired or replacement part will be returned to you. Please allow 3 to 4 weeks for delivery.

This warranty gives you specific legal rights. You may also have other rights which vary from state to state.

JumpSport, Inc.
2055 South 7th Street, Suite A
San Jose, CA 95112

408-213-2551

<http://www.jumpsport.com>