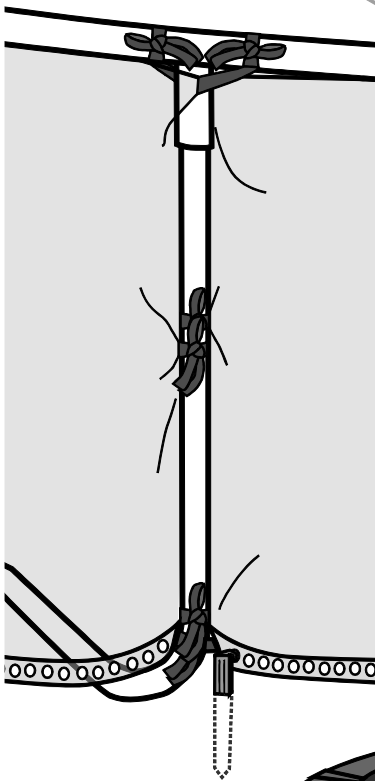
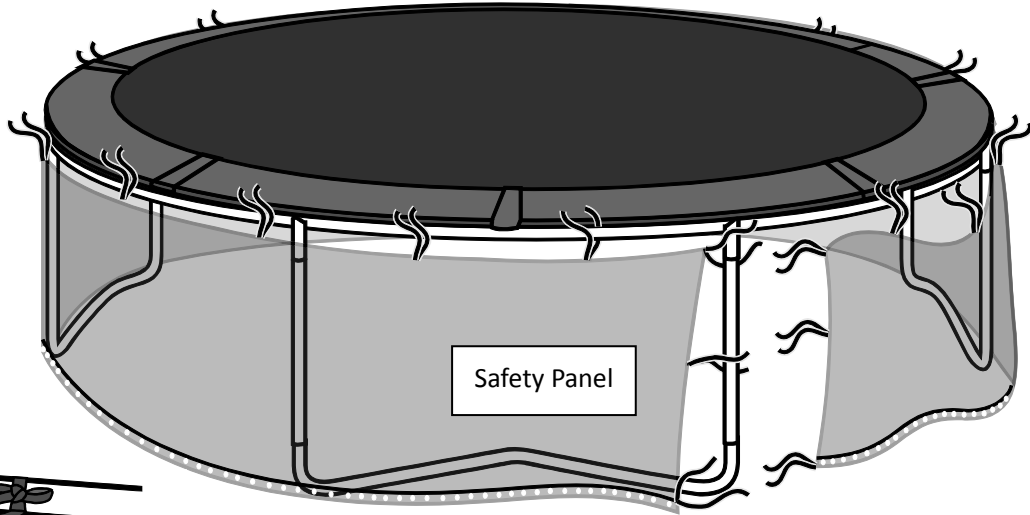
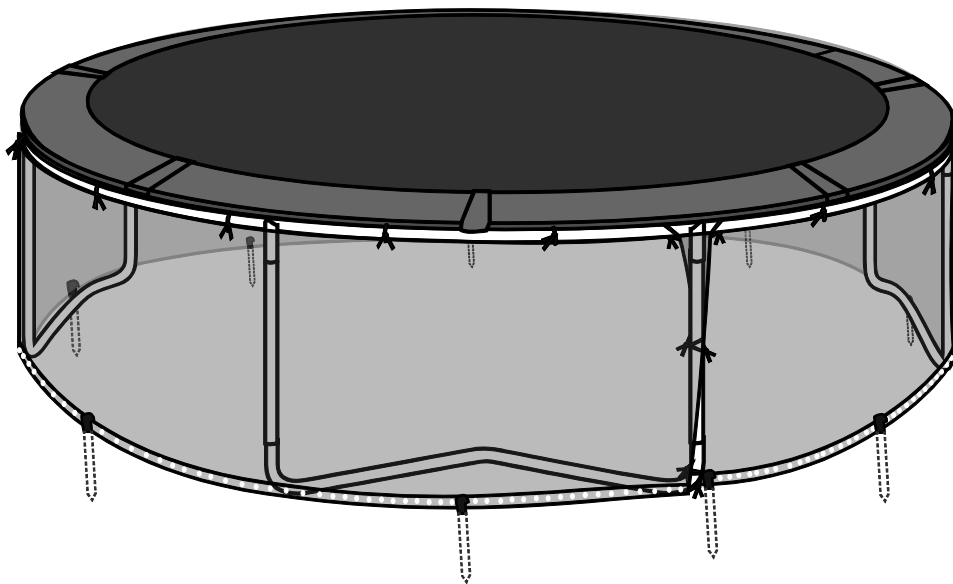


# JumpSport®

## Safety Panel Installation Instructions



- Secure one end of panel to leg and rail at top.
- Connect the top of the panel to frame around the perimeter of the trampoline, and secure the opposite end to the leg.
- Stake bottom of panel to ground between each leg. The 9<sup>th</sup> stake is used in the corner where the net ends.
- If your trampoline is smaller than 14ft, continue the secure panel to top of frame, creating an overlapping section. Make sure the outer corner is staked to the ground.
- Questions? Call 1-888-567-5867



Ground stakes