



# Trampoline Octagon™ Kit for 12' and 14' Trampolines

## User's Manual

Assembly Instructions



Do not attempt or allow somersaults. Landing on the head or neck can cause serious injury, paralysis or death, even when landing in the middle of the trampoline.



### WARNING

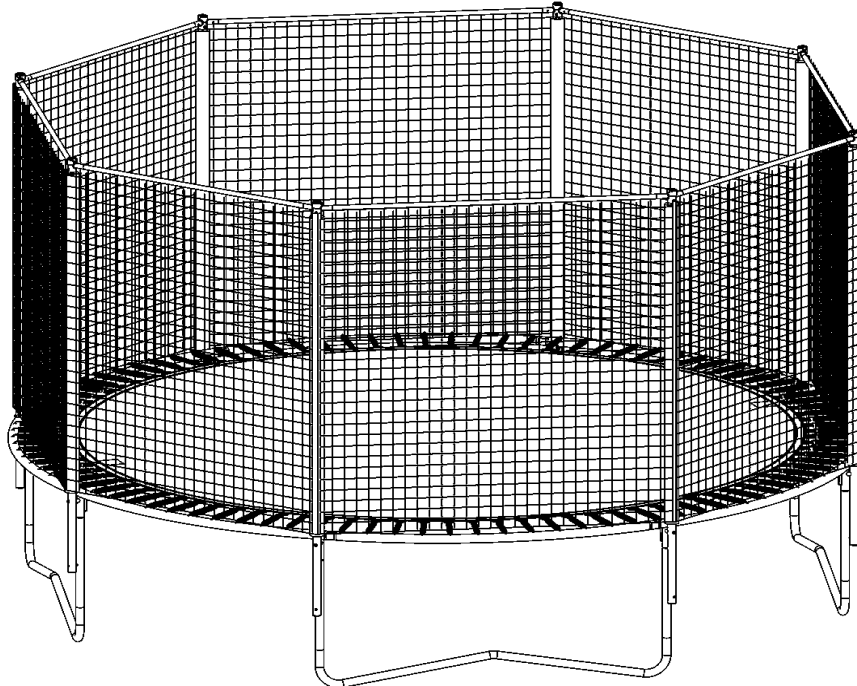
Read these materials prior to assembling

Use only with mature, knowledgeable supervision.



DO NOT intentionally rebound off the pole pads or enclosure net.

DO NOT hang from, kick, cut or climb on the octagon rods, pole pads, or enclosure net.



Trampoline and Safety Enclosure Sold Separately

NOTE: Product shown with spring padding removed for clarity. Only use your AlleyOOP MMA Octagon System with net and padding completely installed.

#### WARN-

read, understand, and follow all of the warnings and instructions provided with your trampoline and enclosure.

#### ING: Carefully

- Trampolines over 20 inches (51 cm) tall are not recommended for use by children under 6 years of age.
- Use only in a well lit area by responsible, mature, non-intoxicated persons.
- Keep objects away which could interfere with safe use. Maintain adequate clearance underneath, above, and around the trampoline.
- Inspect before each use. Make sure the octagon rods, rod pad covers, and pole caps are properly installed, and that all straps, buckles, frame and pole padding, and other components on your trampoline and enclosure system are correctly and securely positioned. Replace or adjust any loose, worn, defective, or missing parts.
- For additional information, contact us at [JumpSport.com](http://JumpSport.com) or 1-408-213-2551.

It is the responsibility of the purchaser to become familiar with all of the information in this booklet, to convey the warnings to all users,



#### CALIFORNIA PROP. 65 WARNING

This product contains chemicals known to the State of California to cause cancer, birth defects, or other reproductive harm.

Retain address information for future use.

Patent info at: [patents.JumpSport.com](http://patents.JumpSport.com)

JumpSport, Inc.  
2055 South 7th Street, Suite A  
San Jose, CA 95112 U.S.A.

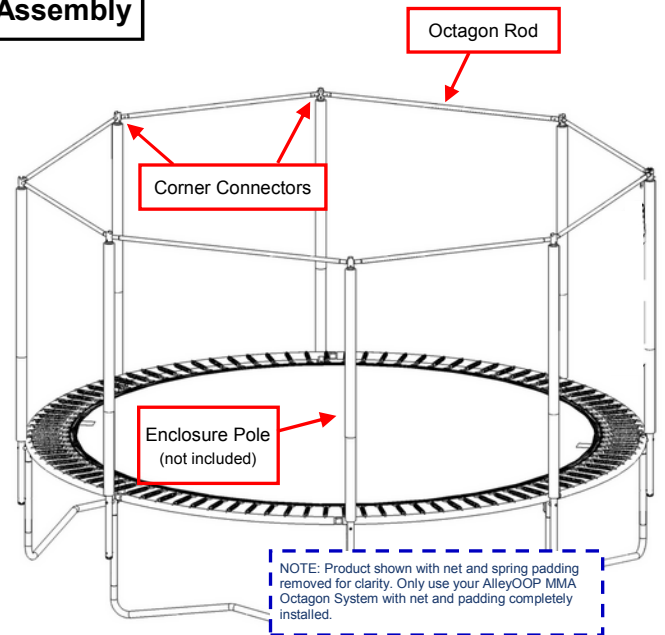
1-408-213-2551  
[www.JumpSport.com](http://www.JumpSport.com)

Instruction Manual P/N: INS-P-21194-00(E)  
Copyright © 2015, by JumpSport, Inc. All rights reserved.

# Unpacking and Assembly

## What's Included?

- Eight (8) Octagon rods; four short and four long
- Eight (8) Octagon rod pad covers and Eight (8) velcro sleeves, four short and four long of each
- Eight (8) Octagon corner connectors
- 18 Short straps with buckles
- Instruction Manual.



1. Remove all components from the packaging, and ensure that nothing is missing. Consult the list above, and if needed, contact JumpSport Customer Service at 1-408-213-2551.
2. Sort the Octagon rods, rod pads, and velcro sleeves into two piles; one set of 4 will be longer than the other. These correspond to the leg spacing of the trampoline frame. **(Fig. 1)**
3. Slide the Octagon rod pad covers onto the Octagon rods. **(Fig. 2)**
4. Remove the existing ball end-caps from the tops of the enclosure poles. Install Octagon corner connectors **(Fig.3)**, then top cap **(Fig. 4)**. Top caps must be aligned with the notches on the connector and enclosure pole to fit properly.
5. Insert the end of the Octagon rod into the Octagon corner connector. Make sure the button snaps into the pole connector, as shown. **(Fig. 5)** Continue around the trampoline until all poles are connected.



Fig. 1



Short rod

Long rod

Instructions continue on next page.



Fig. 2



Fig. 3

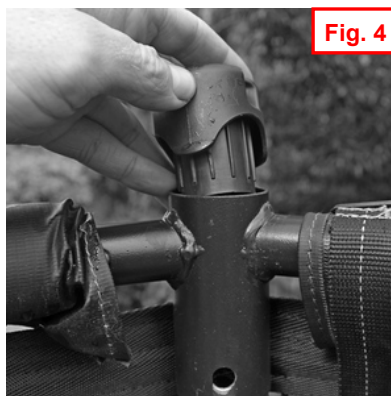
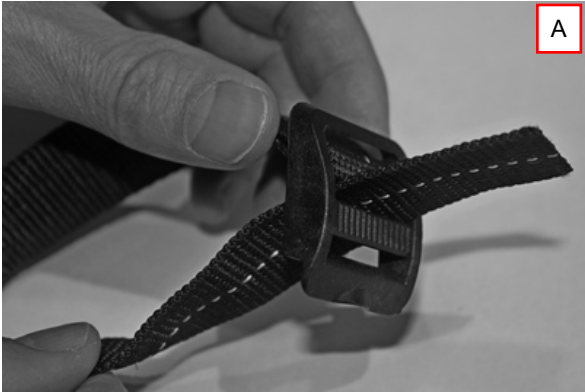


Fig. 4



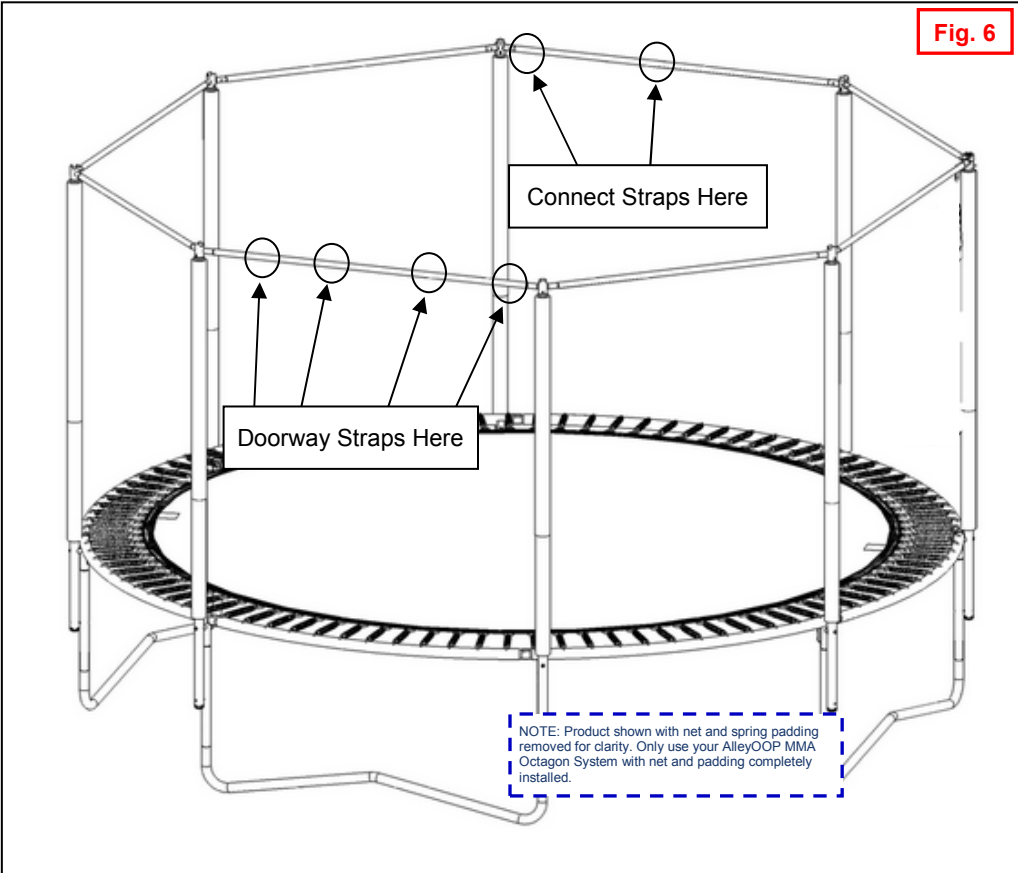
Fig. 5

Assembly Continued



6. Connect the top strap of the enclosure net to the Octagon rods using the provided straps. (See photos **A & B** to left for strap instructions). Each Octagon rod should be connected to the net in two (2) places: one at the end, and one in the center. The enclosure doorway should be connected to the Octagon rods with four straps, as shown below. (**Fig. 6**)

**Your AlleyOOP MMA Octagon Kit is now ready to use!**





## Limited Warranty

**What is covered by this warranty?** This warranty covers any defects in materials or workmanship on all of the components of a new AlleyOOP® Trampoline Octagon Kit, and is extended exclusively to the original retail purchaser.

**How long does this coverage last?** Warranty coverage for each component of a new AlleyOOP® Trampoline Octagon Kit begins from the original date of purchase and lasts for 90 days.

**What will JumpSport do?** If you return the defective part to JumpSport, as instructed below, JumpSport will either repair or replace such part, at JumpSport's discretion, and return it to you.

**What is not covered by this warranty?** This warranty covers new products purchased as a complete system; it does not cover replacement parts. This warranty also does not cover expenses of on-site labor, shipping costs, travel, assembly or disassembly, or other charges associated with the repair or replacement of covered components. Further, this warranty does not cover any problem that is caused by abuse, misuse, commercial or public use, ordinary wear and tear, outdoor use, weathering, acts of God (such as wind and lightning), failure to follow directions, improper installation, improper maintenance, or any silk screened graphics. Rust is a natural occurrence with any steel product and is likewise not covered by this warranty, to the extent that it does not affect the structural integrity of the part.

JUMPSPORT IS NOT RESPONSIBLE OR LIABLE FOR INDIRECT, SPECIAL, OR CONSEQUENTIAL DAMAGES ARISING OUT OF OR IN CONNECTION WITH THE USE OR PERFORMANCE OF THE PRODUCT OR OTHER DAMAGES WITH RESPECT TO ANY LOSS, INCLUDING BUT NOT LIMITED TO ECONOMIC LOSS, LOSS OF PROPERTY, LOSS OF REVENUE OR PROFITS, LOSS OF ENJOYMENT OR USE, COST OF REMOVAL, INSTALLATION OR OTHER CONSEQUENTIAL DAMAGES. SOME STATES DO NOT ALLOW THE EXCLUSION OR LIMITATION OF INCIDENTAL OR CONSEQUENTIAL DAMAGES. ACCORDINGLY, THE ABOVE LIMITATION MAY NOT APPLY TO YOU.

THE WARRANTY EXTENDED HEREUNDER IS IN LIEU OF ALL OTHER WARRANTIES AND ANY IMPLIED WARRANTY OF MERCHANTABILITY OR FITNESS FOR A PARTICULAR PURPOSE IS LIMITED IN ITS SCOPE AND DURATION TO THE TERMS SET FORTH HEREIN. SOME STATES DO NOT ALLOW LIMITATIONS ON HOW LONG AN IMPLIED WARRANTY LASTS. ACCORDINGLY, THE ABOVE LIMITATION MAY NOT APPLY TO YOU.

**How to get a defective part replaced:**

- 1) Call the JumpSport Customer Service department at 1-408-213-2551 to obtain a Return Authorization number. All returns must be pre-authorized.
- 2) Send the part(s) to the designated Service Center, along with a copy of your original sales receipt and a brief written description of the problem, including how it occurred. You must pay freight and insurance to return the part to JumpSport. At JumpSport's sole discretion, we may ask you to send photographs in addition to or in lieu of returning the part.
- 3) After inspecting the returned part(s), JumpSport will make a final determination whether the part is covered by this warranty. We reserve the right to examine photographs or physical evidence concerning parts claimed to be defective prior to making a final determination concerning the claim. A repaired or replacement part will be returned to you. (Shipping charges may apply.) Please allow 3 to 4 weeks for delivery."

This warranty gives you specific legal rights. You may also have other rights which vary from state to state.