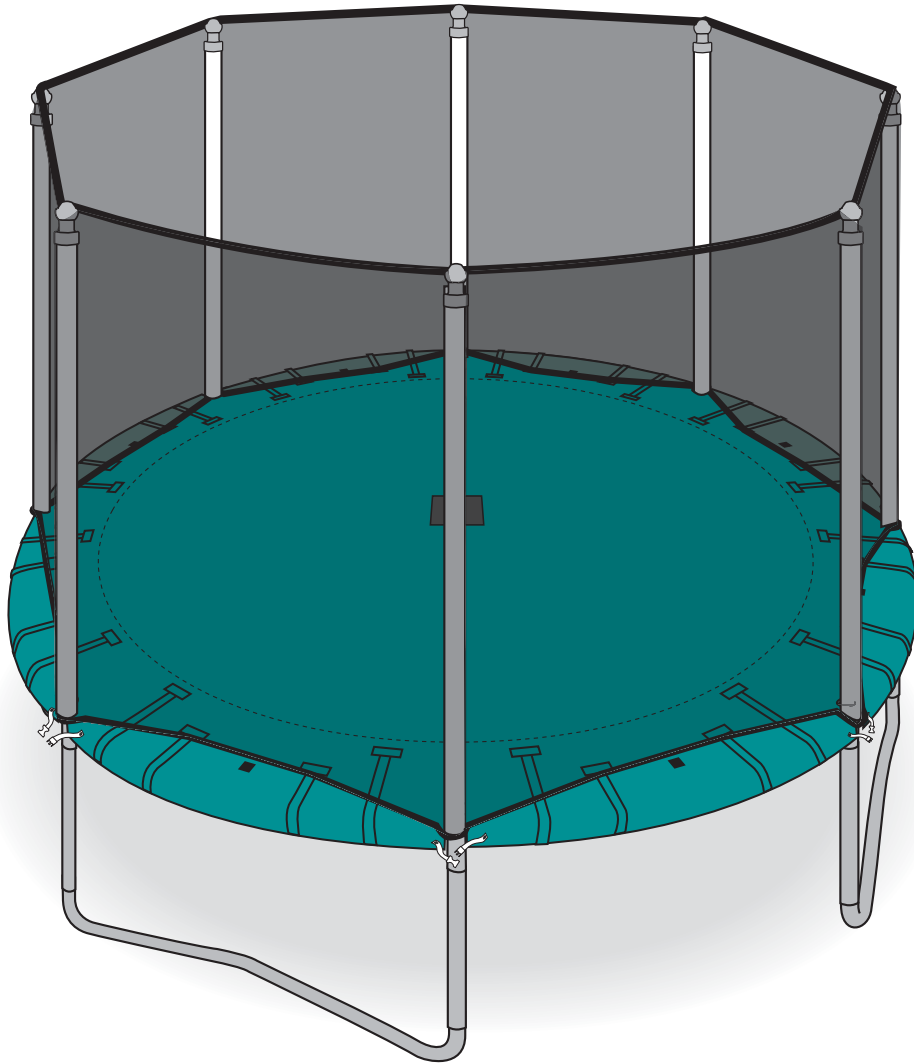


AlleyOop[®]

S P O R T S



14ft Round Trampoline Weather Cover Installation Instructions

Retain address information for future use.

JumpSport, Inc.
2055 South 7th Street, Suite A
San Jose, CA 95112 U.S.A.

408-213-2551
www.jumpsport.com

P/N: INS-P-20069-00B

Copyright Notice

This material is protected by United States copyright laws and is proprietary to JumpSport, Inc. Disclosure, reproduction, translation, modification, or use of this document by anyone other than authorized employees, authorized users, or licensees of JumpSport without the prior written consent of JumpSport, Inc. is prohibited.

The information in this document is subject to change without notice. JumpSport, Inc. shall not be liable for any damages resulting from technical errors or omissions, which may be present in this document, or from use of this document.

Copyright © 2003-2009, by JumpSport, Inc. All rights reserved.

Printed: 2009

Instruction Manual P/N: INS-P-20069-00B

AlleyOop 14ft Round Trampoline Weather Cover P/N: WCA-S-11649-00

Trademarks

JumpSport® and AlleyOop Sports® are trademarks of JumpSport, Inc.

All other brand or product names are trademarks or registered trademarks of their respective companies or organizations.

Patents

This product includes technology associated with one or more of the following U.S. Patents:

No. 6,053,845

No. 6,261,207

No. 6,840,891

No. 6,846,271

No. 7,060,001

Additional Patents Pending.

How to Contact Customer Support

Should you require customer service or technical support for your AlleyOop 14ft Round Trampoline Weather Cover, please contact AlleyOop Sports' Customer Service department at:

408-213-2551

6:00am – 5:00pm Monday through Friday, Pacific Time



Assembly and Installation Instructions

The AlleyOop 14ft Round Trampoline Weather Cover is designed to protect your investment from UV rays that harm the jumping mat and pad, and to keep debris off of your trampoline. Make sure to brush debris off of the weather cover so that the venting mesh near the center can act as a drain for moisture.

The following pages contain diagrams, pictures, and written instructions for installing your Trampoline Weather Cover.

Familiarize yourself with the Assembly and Installation Instructions before beginning installation.

Windy Conditions

It is possible for the trampoline to be blown about by a high wind, with or without a weather cover installed. If you anticipate high winds, see trampoline manufacturer's recommendations for windy conditions.

Cold Weather Protection

The Trampoline Weather Cover is designed for year-round outdoor use. However, in climates of cold weather, we recommend the Trampoline Weather Cover be removed if snow or ice is anticipated. To remove the Trampoline Weather Cover, simply follow the instructions for installing it in reverse order.

 **WARNING:** Do not jump on the trampoline with the weather cover installed.

Assembly and Installation Instructions

Before you begin installing your Weather Cover, please check to see what kind of frame pad you have installed on your trampoline.

Bottom of pad secured to trampoline rail



Picture A

Type A assembly instructions begin on page 5

Bottom of pad/net secured to v-ring on trampoline mat



Picture B

Type B assembly instructions begin on page 7



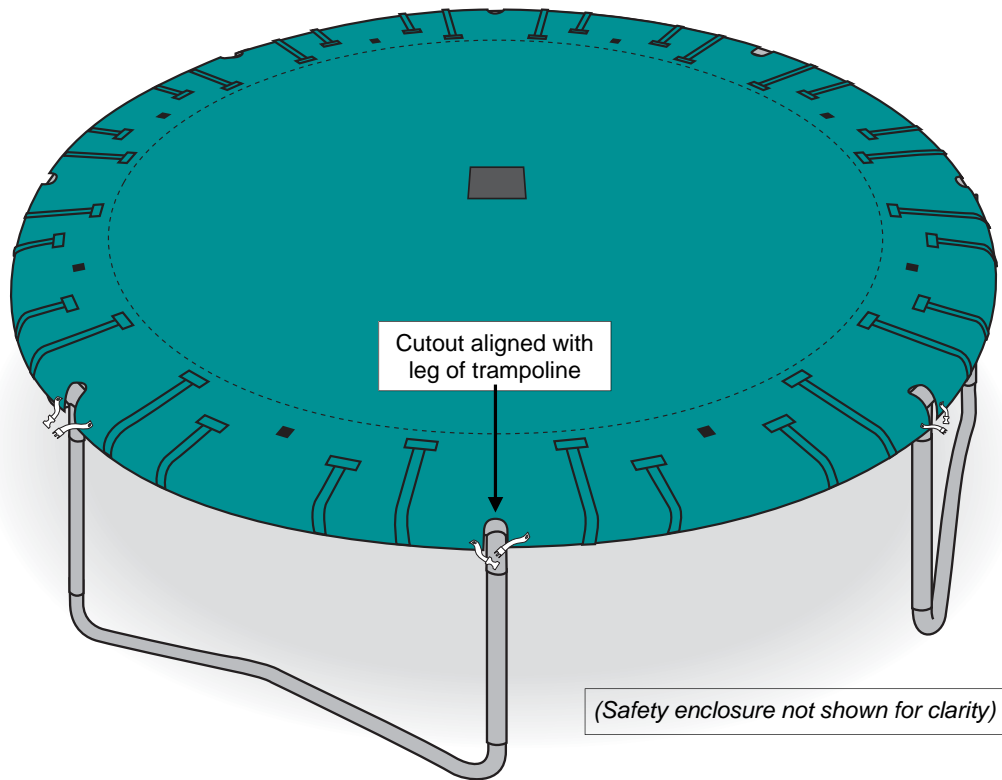
Bottom of net, inbetween poles, secures under middle of pad and around trampoline rail

Picture C

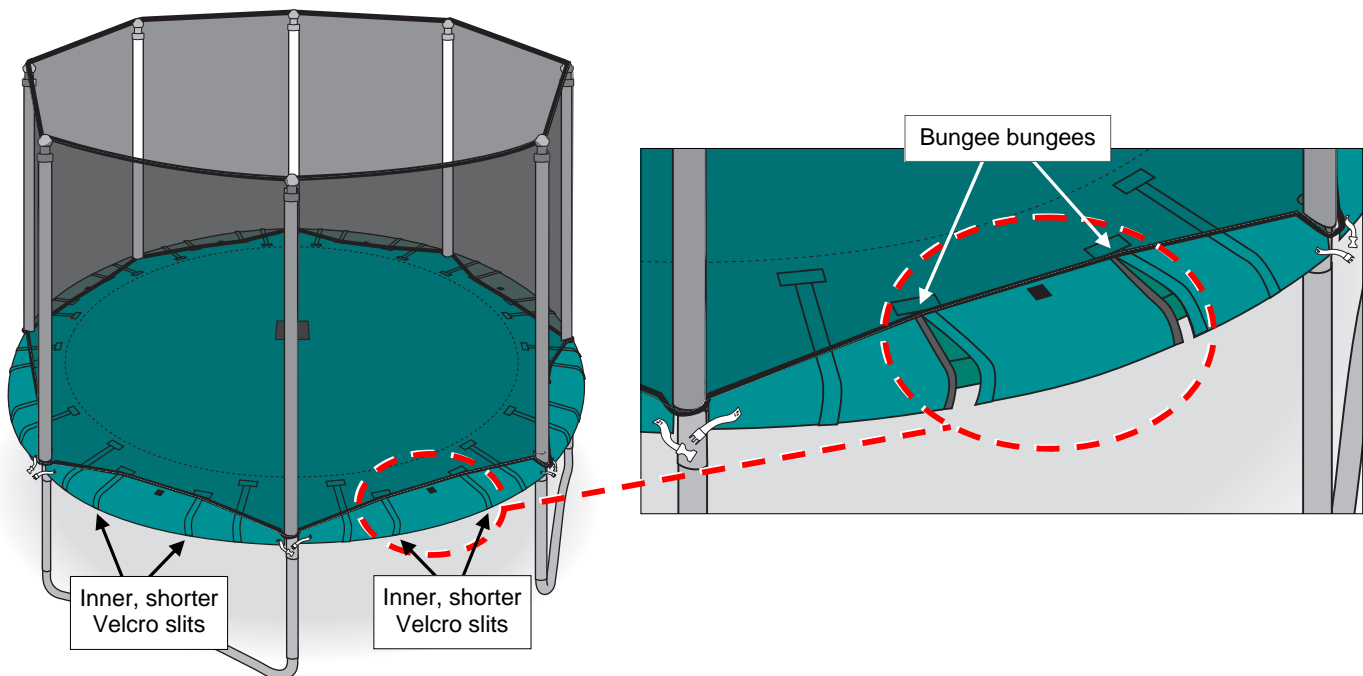
Type C assembly instructions begin on page 9



Assembly and Installation Instructions—Type A Installation



- 1) Lay weather cover on trampoline. Align cutouts of weather cover with legs of trampoline. If they do not line up, rotate cutouts to an adjacent leg.

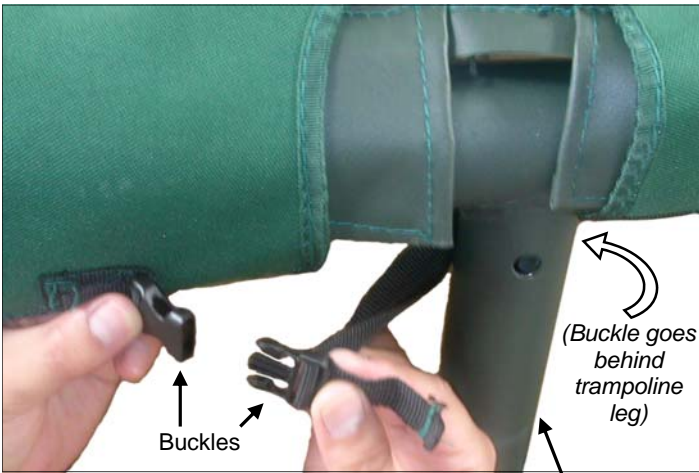


- 2) Detach *inner, shorter* Velcro slits at each of the 16 locations on the weather cover. Slide each section under the safety enclosure net, and around the button bungees. Then, from outside the trampoline, reattach all Velcro slits.

Note: The net should remain connected to the bed of the trampoline at 16 points (16 button bungees). These connections should align with the Velcro slits. Readjust any net connections on the net itself that do not line up with the Velcro slits.

Assembly and Installation Instructions—Type A Installation

(View from outside trampoline)



Trampoline Leg

(Buckle goes behind trampoline leg)



Buckles connected together

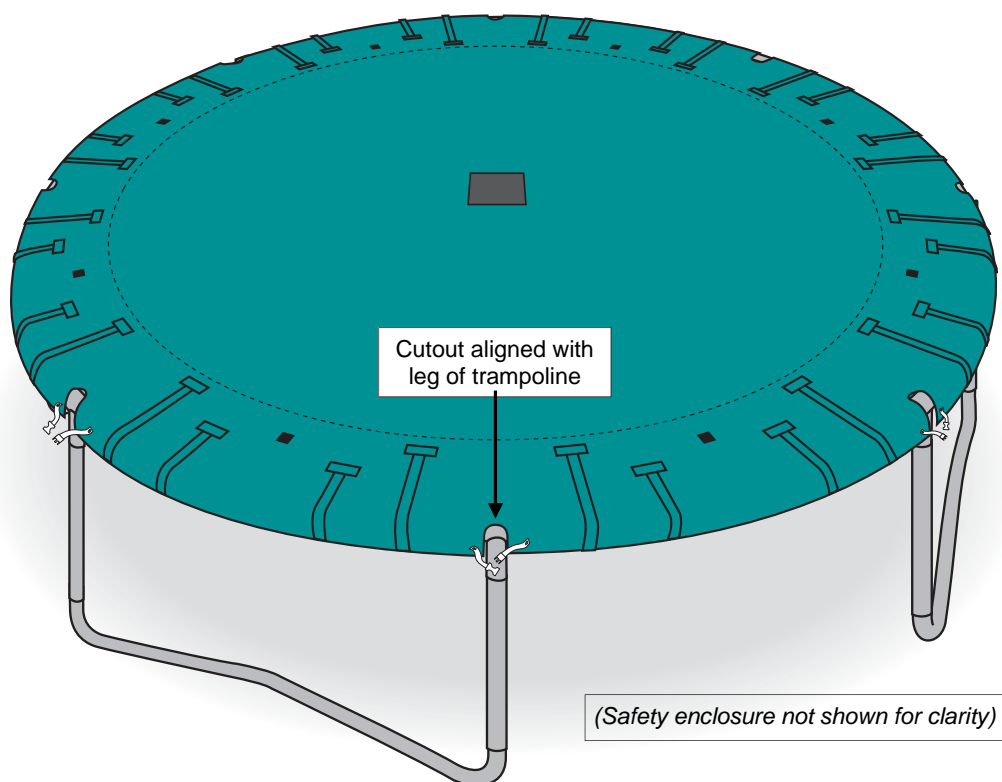
3) Secure the weather cover around the inside each trampoline leg piece using the buckles, as shown.

Your Trampoline Weather Cover is now installed!

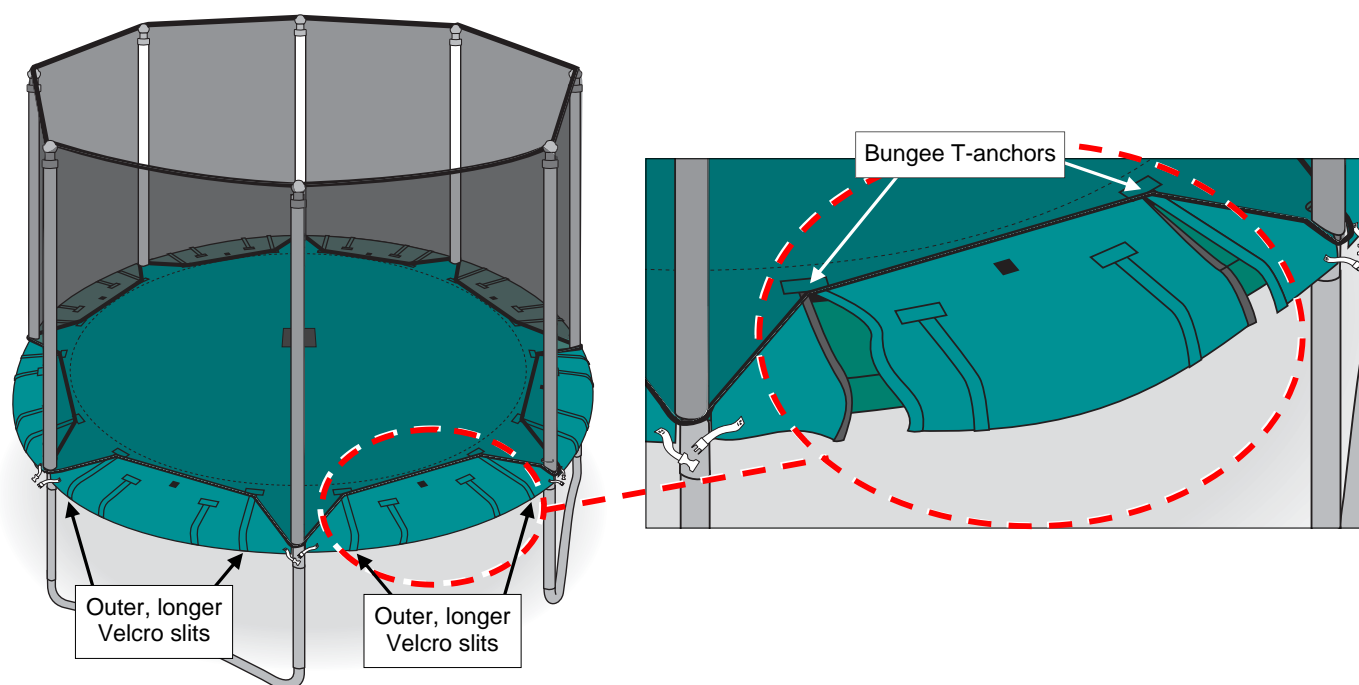
Keep center drain mesh clear of debris.

To remove the weather cover, follow the Installation Instructions in reverse order.

Assembly and Installation Instructions—Type B Installation



- 1) Lay weather cover on trampoline. Align cutouts of weather cover with legs of trampoline. If they do not line up, rotate cutouts to an adjacent leg.

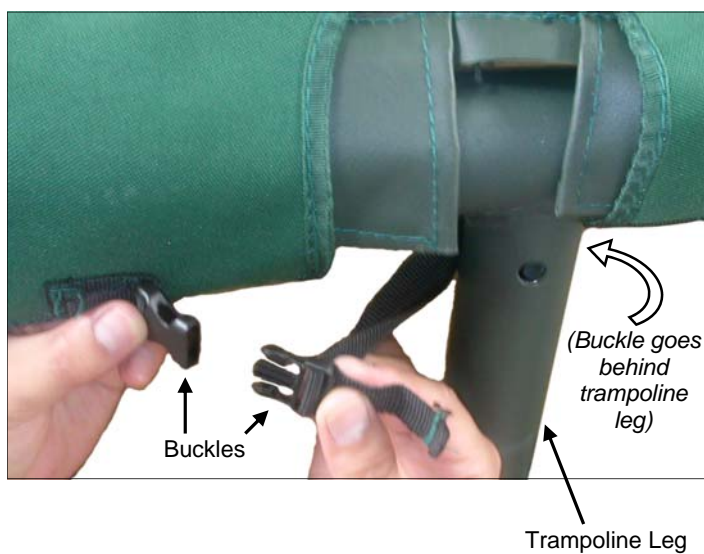


- 2) Detach *outer, longer* Velcro slits at each of the 16 locations on the weather cover. Slide each section under the safety enclosure net, and around the bungee T-anchors. Then, from outside the trampoline, reattach all Velcro slits.

Note: The net should remain connected to the bed of the trampoline at 16 points (16 bungee T-anchors). These connections should align with the Velcro slits. Readjust any net connections on the net itself that do not line up with the Velcro slits.

Assembly and Installation Instructions—Type B Installation

(View from outside trampoline)



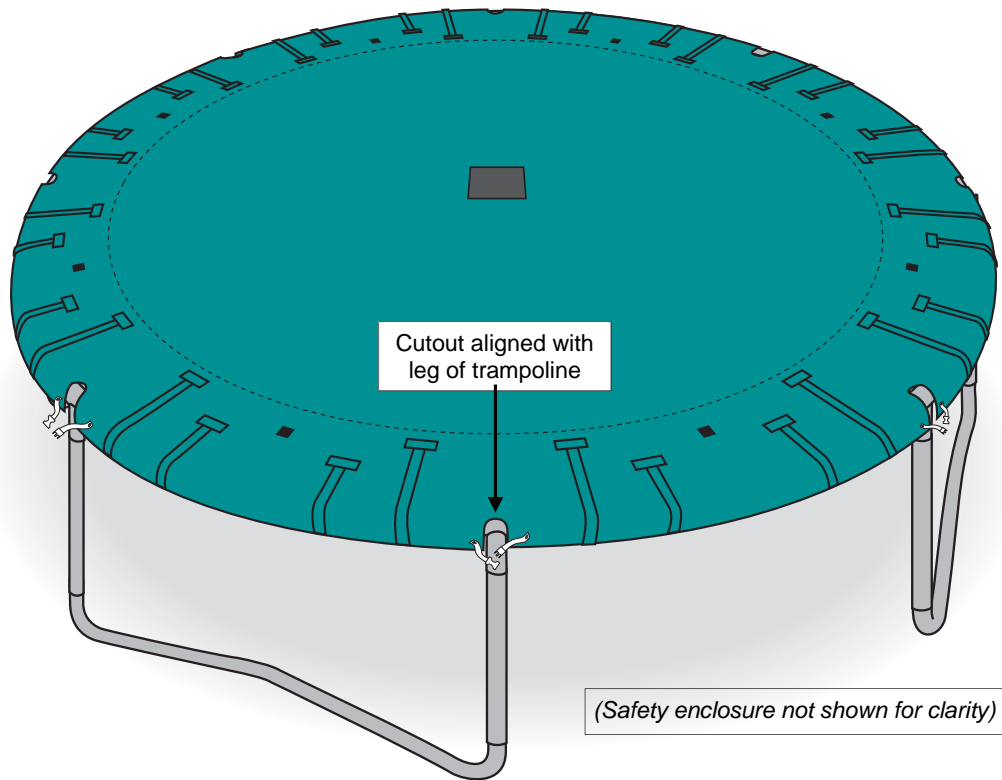
3) Secure the weather cover around the inside each trampoline leg piece using the buckles, as shown.

Your Trampoline Weather Cover is now installed!

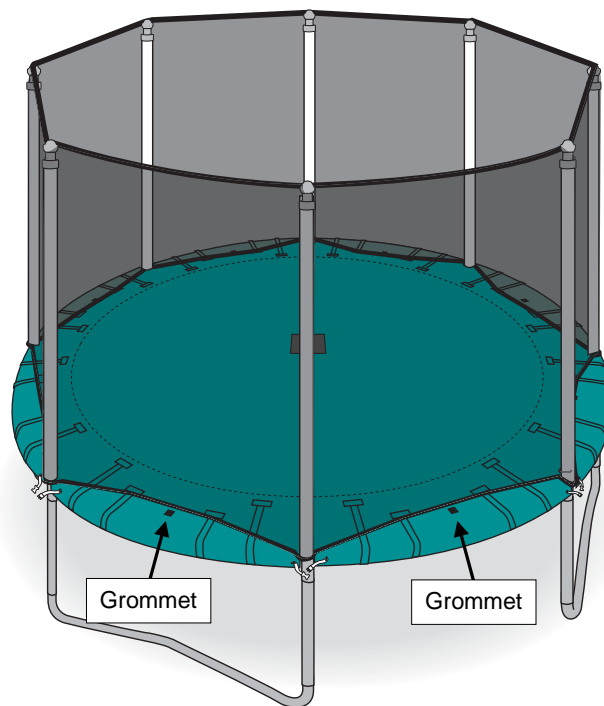
Keep center drain mesh clear of debris.

To remove the weather cover, follow the Installation Instructions in reverse order.

Assembly and Installation Instructions—Type C Installation



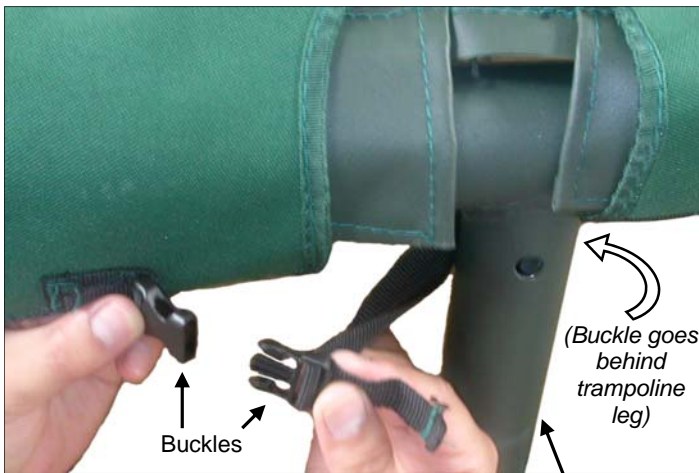
1) Lay weather cover on trampoline. Align cutouts of weather cover with legs of trampoline. If they do not line up, rotate cutouts to an adjacent leg.



2) It is recommended that you remove the short straps with buckles that hold the bottom of the net down between the poles, then reinstall the short straps after the weather cover is in place. Short straps will be installed through the grommets in the weather cover. See your JumpSport Elite manual for how to secure the straps.

Assembly and Installation Instructions—Type C Installation

(View from outside trampoline)




(Buckle goes behind trampoline leg)

Trampoline Leg



3) Secure the weather cover around the inside each trampoline leg piece using the buckles, as shown.

 **WARNING:** All short straps with buckles along bottom of net, **MUST** be reinstalled and secured before trampoline is used again.



Your Trampoline Weather Cover is now installed!

Keep center drain mesh clear of debris.

To remove the weather cover, follow the Installation Instructions in reverse order.



90 Day Limited Warranty

What is covered by this warranty? This warranty covers any defects in materials or workmanship on all of the components of the AlleyOop 14ft Round Trampoline Weather Cover, and is extended exclusively to the original retail purchaser.

How long does this coverage last? Warranty coverage for each component begins from the original date of purchase and lasts for 90 days.

What will AlleyOop Sports do? If you return the defective part to AlleyOop Sports, as instructed below, AlleyOop Sports will either repair or replace such part, at AlleyOop Sports' discretion, and return it to you.

What is not covered by this warranty? This warranty does not cover expenses of on-site labor, shipping costs, travel, assembly or disassembly, or other charges associated with the repair or replacement of covered components. This warranty also does not cover any problem that is caused by abuse, misuse, commercial or public use, ordinary wear and tear, weathering, acts of God (such as wind and lightning), failure to follow directions, improper installation, or improper maintenance. Rust is a natural occurrence with any outdoor steel product and is likewise not covered by this warranty, to the extent that it does not affect the structural integrity of the part.

ALLEYOOP SPORTS IS NOT RESPONSIBLE OR LIABLE FOR INDIRECT, SPECIAL, OR CONSEQUENTIAL DAMAGES ARISING OUT OF OR IN CONNECTION WITH THE USE OR PERFORMANCE OF THE PRODUCT OR OTHER DAMAGES WITH RESPECT TO ANY LOSS, INCLUDING BUT NOT LIMITED TO ECONOMIC LOSS, LOSS OF PROPERTY, LOSS OF REVENUE OR PROFITS, LOSS OF ENJOYMENT OR USE, COST OF REMOVAL, INSTALLATION OR OTHER CONSEQUENTIAL DAMAGES. SOME STATES DO NOT ALLOW THE EXCLUSION OR LIMITATION OF INCIDENTAL OR CONSEQUENTIAL DAMAGES. ACCORDINGLY, THE ABOVE LIMITATION MAY NOT APPLY TO YOU.

THE WARRANTY EXTENDED HEREUNDER IS IN LIEU OF ALL OTHER WARRANTIES AND ANY IMPLIED WARRANTY OF MERCHANTABILITY OR FITNESS FOR A PARTICULAR PURPOSE IS LIMITED IN ITS SCOPE AND DURATION TO THE TERMS SET FORTH HEREIN. SOME STATES DO NOT ALLOW LIMITATIONS ON HOW LONG AN IMPLIED WARRANTY LASTS. ACCORDINGLY, THE ABOVE LIMITATION MAY NOT APPLY TO YOU.

How to get a defective part replaced:

- 1) Call the AlleyOop Sports Customer Service department at 408-213-2551 to obtain a Return Authorization number. All returns must be pre-authorized.
- 2) Send the part(s) to the designated Service Center, along with a copy of your original sales receipt and a brief written description of the problem, including how it occurred. You must pay freight and insurance to return the part to AlleyOop Sports. At AlleyOop Sports' sole discretion, we may ask you to send photographs in addition to or in lieu of returning the part.
- 3) After inspecting the returned part(s), AlleyOop Sports will make a final determination whether the part is covered by this warranty. We reserve the right to examine photographs or physical evidence concerning parts claimed to be defective prior to making a final determination concerning the claim. A repaired or replacement part will be returned to you. (Shipping charges may apply.) Please allow 3 to 4 weeks for delivery.

This warranty gives you specific legal rights. You may also have other rights which vary from state to state.

JumpSport, Inc.
2055 South 7th Street, Suite A
San Jose, CA 95112

408-213-2551

<http://www.jumpsport.com>