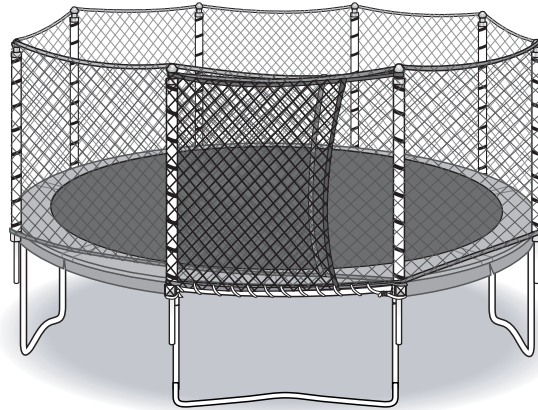


JumpSport®



Alternate Assembly Instructions for Safety Enclosures Models 120, 280, 380, 480, and 480XT Assembly, Installation, Care, Maintenance, and Use Instructions

WARNING

Read these materials prior to assembling and
using this Trampoline Enclosure



DO NOT attempt or allow somersaults. Landing on the head or neck can cause serious injury, paralysis or death, even when landing in the middle of the bed.



DO NOT allow more than one person inside the trampoline enclosure. Use by more than one person at the same time can result in serious injury.

Use trampoline only with mature, knowledgeable supervision.



DO NOT attempt to jump over the barrier.



DO NOT intentionally rebound off the barrier.

DO NOT hang from, kick, cut or climb on the barrier.

The maximum user weight is:
Model 280: 200 pounds
Model 120 & 380: 230 pounds
Models 480 & 480XT: 295 pounds

Retain address information for future use.

JumpSport, Inc.
2055 South 7th Street, Suite A
San Jose, CA 95112 U.S.A.

408-213-2551
www.jumpsport.com

Copyright Notice

This material is protected by United States copyright laws and is proprietary to JumpSport, Inc. Disclosure, reproduction, translation, modification, or use of this document by anyone other than authorized employees, authorized users, or licensees of JumpSport without the prior written consent of JumpSport, Inc. is prohibited.

The information in this document is subject to change without notice. JumpSport, Inc. shall not be liable for any damages resulting from technical errors or omissions, which may be present in this document, or from use of this document.

Copyright © 1997-2009, by JumpSport, Inc. All rights reserved.

Printed: 2009

Instruction Manual P/N: INS-P-11722-01A

JumpSport 12ft Safety Enclosure Model 120 P/N: SEJ-S-11338A

JumpSport 10ft – 14ft Safety Enclosure Model 280 P/N: SEJ-S-11339A

JumpSport 10ft – 14ft Safety Enclosure Model 380 P/N: SEJ-S-11340A

JumpSport 10ft – 14ft Safety Enclosure Model 480 P/N: SEJ-S-11341A

JumpSport 14.1ft – 16ft Safety Enclosure Model 480XT P/N: SEJ-S-11342A

Trademarks

JumpSport®, ProFlex™ Basketball Set, Game and Party Pak™, SureStep™ Trampoline Ladder, and BounceBoard Extreme™ are trademarks of JumpSport, Inc.

All other brand or product names are trademarks or registered trademarks of their respective companies or organizations.

Patents

This product includes technology associated with one or more of the following U.S. Patents:

No. 6,053,845

No. 6,261,207

No. 6,840,891

No. 6,846,271

No. 7,060,001

Additional Patents Pending.

How to Contact Customer Support

Should you require customer service or technical support for your JumpSport Safety Enclosure, please contact JumpSport's Customer Service department at:

408-213-2551

8:00am – 5:00pm Monday through Friday, Pacific Time



Contents

Chapter 1	Introduction	5
	JumpSport ProFlex Basketball Set	6
	Game and Party Pak	6
Chapter 2	Assembly and Installation Instructions	7
	Preparation	7
	Trampoline Placement	7
	Tools	8
	Parts List	8
	Assembly	9
	Type A Installation	15
	Type B Installation	22
	Final Steps	28
	Disassembly	28

**Please refer to the manual that came with your enclosure
for all other chapters.**

(This page left intentionally blank.)

Congratulations on purchasing a JumpSport Safety Enclosure! We sincerely believe that you have purchased the finest safety enclosure on the market. It has been engineered with safety, durability, and performance in mind.

Safe use of a trampoline also requires adequate knowledge of technique, as well as what *not* to do. Please read this manual thoroughly for key points of safety.

Trampolines, being rebounding devices, propel the performer to unaccustomed heights and into a variety of body movements. Therefore, it is emphasized that all purchasers, and all persons using the trampoline, become familiar with the rules for safe use. Misuse and abuse of this trampoline is dangerous, and can cause serious injuries. The purchaser/user of this piece of equipment is assuming a degree of risk for which JumpSport cannot be responsible.

Read this information thoroughly before allowing the trampoline to be used. Keep this manual available for your review, and for review by all potential users. If there are questions please call JumpSport for further explanation.

Caution

Many users of our trampolines are children, and therefore need close supervision and rules to follow while playing on the trampoline. These rules must be enforced by whomever is responsible for the care of the children. It is strongly recommended that the buyer of this product go over the rules and recommendations in the packet of information supplied, including those in this manual. It is also strongly recommended that these rules and recommendations be supplemented with those of your own, for example: the time that jumping is allowed, when neighbors can visit, and so on. These rules and recommendations should be reviewed with anyone who is going to jump on the trampoline. If it is possible, review these rules with the parents or guardians of any visitors who may be jumping on the trampoline. See *Safety Rules* (under the *Use Instructions* section) for more information.

Introduction

JumpSport ProFlex Basketball Set

Let's face it, kids have to look up a lot: at parents, teachers, and bigger brothers/sisters. With the **JumpSport ProFlex Basketball Set**, look down for a change!

Whether you are into practicing your outside shot or improving your up-close game, the **ProFlex Basketball Set** is a fun way to avoid homework. Heck, athletic scholarships pay for college too!



- Our most popular accessory!
- Easily installed to your safety enclosure
- Set includes basketball

Don't miss out on these fun accessories and more at www.jumpsport.com !

Game & Party Pak

Bring the party to your trampoline! The **Game & Party Pak** is a great way to take turns and have fun participating in games while you are waiting.

Convince your parents that games provide the "structure" you need in your life, and that the **Game & Party Pak** is just the solution. Plus, you can tell them the Party Pak does big words like:

- Enhances Athletic Building Blocks
- Develops Agility, Stamina, Balance, Coordination
- Improves Spatial Awareness

(They won't be able to turn you down!)



Set Includes:

- Illustrated book of 20 games
- 3 soft balls
- 4 shock cords
- 1 box of sidewalk chalk
- Hours of fun!

Assembly and Installation Instructions

Preparation

Before you begin assembling your JumpSport Safety Enclosure, make sure your trampoline is in a proper location.

Trampoline Placement



Caution: *When deciding on where to place your trampoline, consider the following:*

WARNING

Overhead Clearance	Adequate overhead clearance is essential. A minimum of 24 feet from ground level is recommended. Provide clearance for wires, tree limbs, and other possible hazards.
Lateral Clearance	Lateral clearance is essential. Place the trampoline and trampoline enclosure away from walls, structures, fences, and other play areas. Maintain a clear space on all sides of the trampoline and trampoline enclosure.
Level Surface	Place the trampoline and trampoline enclosure on a level surface before use.
Lighting	Use the trampoline and trampoline enclosure in a well-lighted area. Artificial illumination may be required for indoor or shady areas.
Security	Secure the trampoline and trampoline enclosure against unauthorized and unsupervised use.
Ground Clearance	Remove any obstructions from beneath the trampoline and trampoline enclosure.

Note: *The trampoline enclosure is only to be used as an enclosure for a trampoline of a size for which the enclosure is designed.*

Note: *The owner and supervisors of the trampoline are responsible to make all users aware of practices specified in the Use Instructions.*

IMPORTANT: *The best surface on which to place your trampoline is dirt or grass. However, if you plan to install the trampoline on a very hard surface such as concrete or asphalt, a dense foam — similar to what can be found in public playgrounds — should be installed under each leg. Contact JumpSport Customer Service if you have any questions.*

It is the responsibility of the purchaser to become familiar with all of the information in this booklet, to convey the warnings to all users, and to enforce JumpSport's rules for safe use.

This unit is not intended for commercial or public use and is therefore strictly prohibited.

The maximum user weight is: 200 pounds (Model 280), 230 pounds (Models 120 & 380), or 295 pounds (Models 480 & 480XT), or the specified user weight rating of your trampoline, whichever is lower.

Assembly and Installation Instructions

Tools

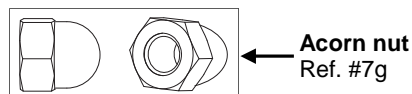
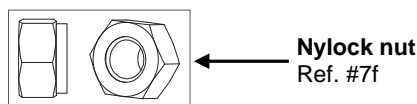
Installation of the safety enclosure requires a 10mm deep socket and ratchet, or a crescent/adjustable wrench. An 8 foot A-Frame ladder will be useful for some steps (use care and follow procedures for use). Safety glasses and gloves are also recommended for safety.

Parts List

Your JumpSport Safety Enclosure is shipped with the parts shown below. Some parts will be located in a smaller inner box. If any parts are missing, immediately call JumpSport Customer Service at 408-213-2551.

Note: Do NOT discard the foam tubing (Reference #3 and #4); it is needed to make the pole assemblies. It is not just packing material. Not all poles will have foam around them. And do NOT remove any caps from the ends of any of the support poles.

Reference #	Part #	Description	Quantity
1	POL-A-10238A	Lower support pole, with snap-button	8
2	POL-P-10118A	Upper support pole, notch at one end	8
3	FOA-P-10078A	Long foam tubing (1 tube packed over 1 pole)	8
4	FOA-P-10103A	Short foam tubing (2 tubes packed over 1 pole)	8
5	SLE-P-11467A	Pole sleeve, blue vinyl	8
6	CAP-P-10075A	Ball end cap	8
7a	BOL-P-10120A	M6 U-bolt	24
7b	CLA-P-10105A	Clamp	24
7c	WAS-P-10106A	Washer	48
7d	NUT-P-10107A	M6 Nylock nut	48
7e	NUT-P-10621A	M6 acorn nut, capped end	16
8	CAP-P-10123A	U-bolt cap cover, black	8
9	CAB-P-10116A	Cable tie	8
10	NET-P-11198A (120 net) NET-P-11522A (280/380 net) NET-P-11523A (480 net) NET-P-10469A (480XT net)	Safety net	1
11	BUN-P-10126A	1ft bungee, loop at one end, hook at other end	8
12	STR-P-10115A Model 280 All other models	10.5ft pole strap, loop at one end (Depending on your trampoline and safety enclosure, not all straps will be used.)	8 16
13	BUN-P-10125A	6ft bungee, loop at one end, hook at other end (120, 380, 480, 480XT only)	8



Assembly and Installation Instructions

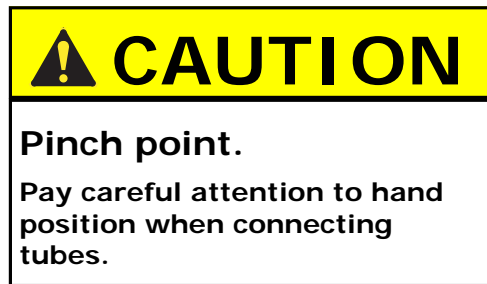
The following pages contain diagrams, pictures, and written instructions for assembling your JumpSport Safety Enclosure. The “Ref. #” mentioned in many steps is referring to the “Reference #” column of the parts list on the previous pages.

Familiarize yourself with the Assembly and Installation Instructions before beginning installation.

For installation questions, please contact JumpSport’s Customer Service department at:

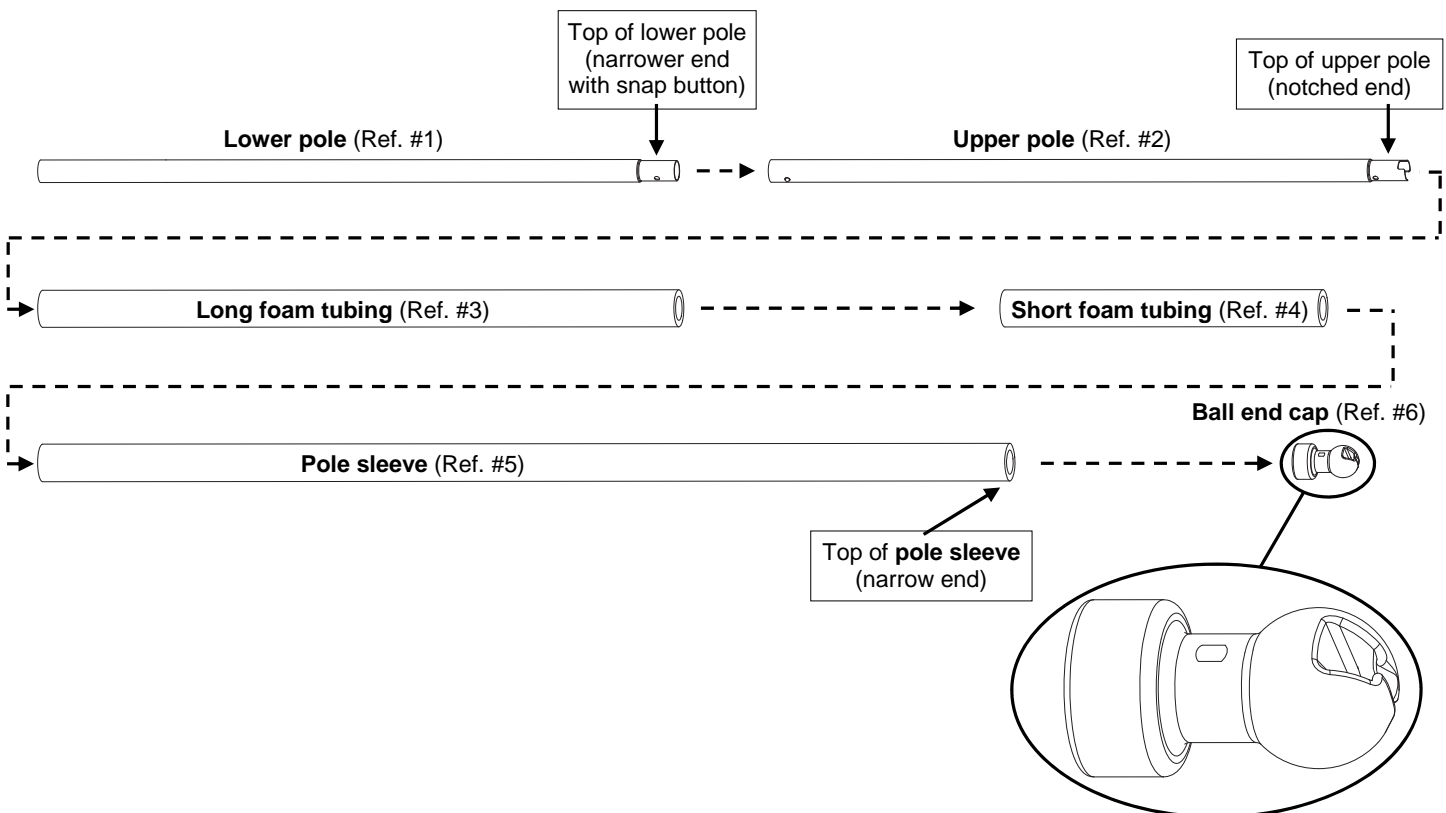
408-213-2551

8:00am – 5:00pm Monday through Friday, Pacific Time



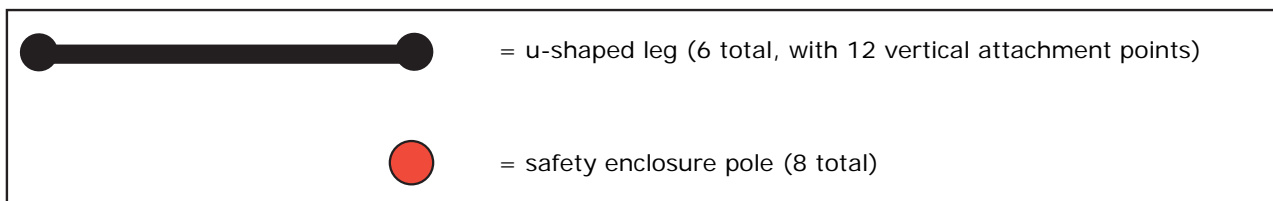
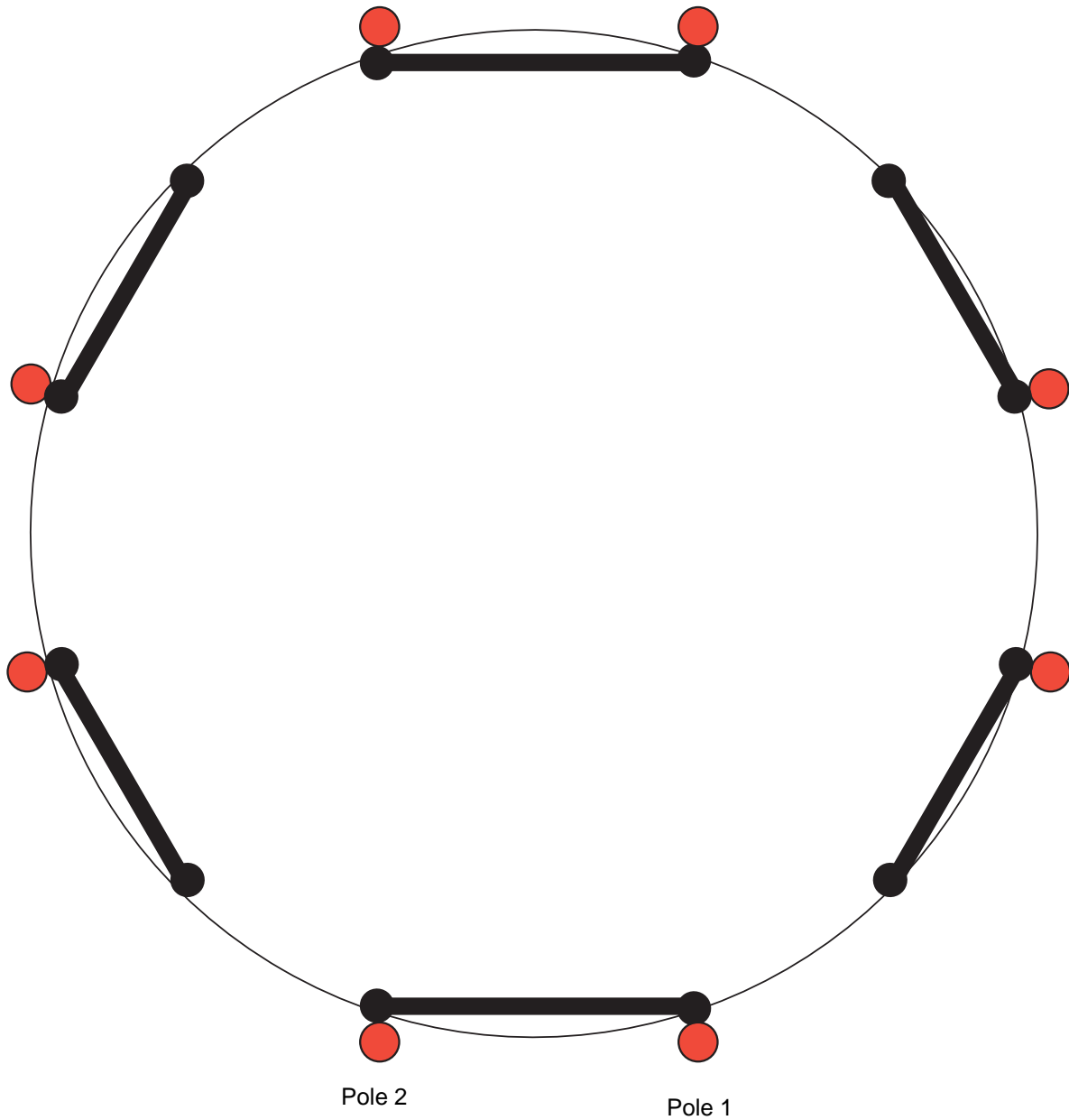
Assembly

Note: We recommend at least 2 people participate in assembling the safety enclosure. Use page 8 to help with part names and numbers.



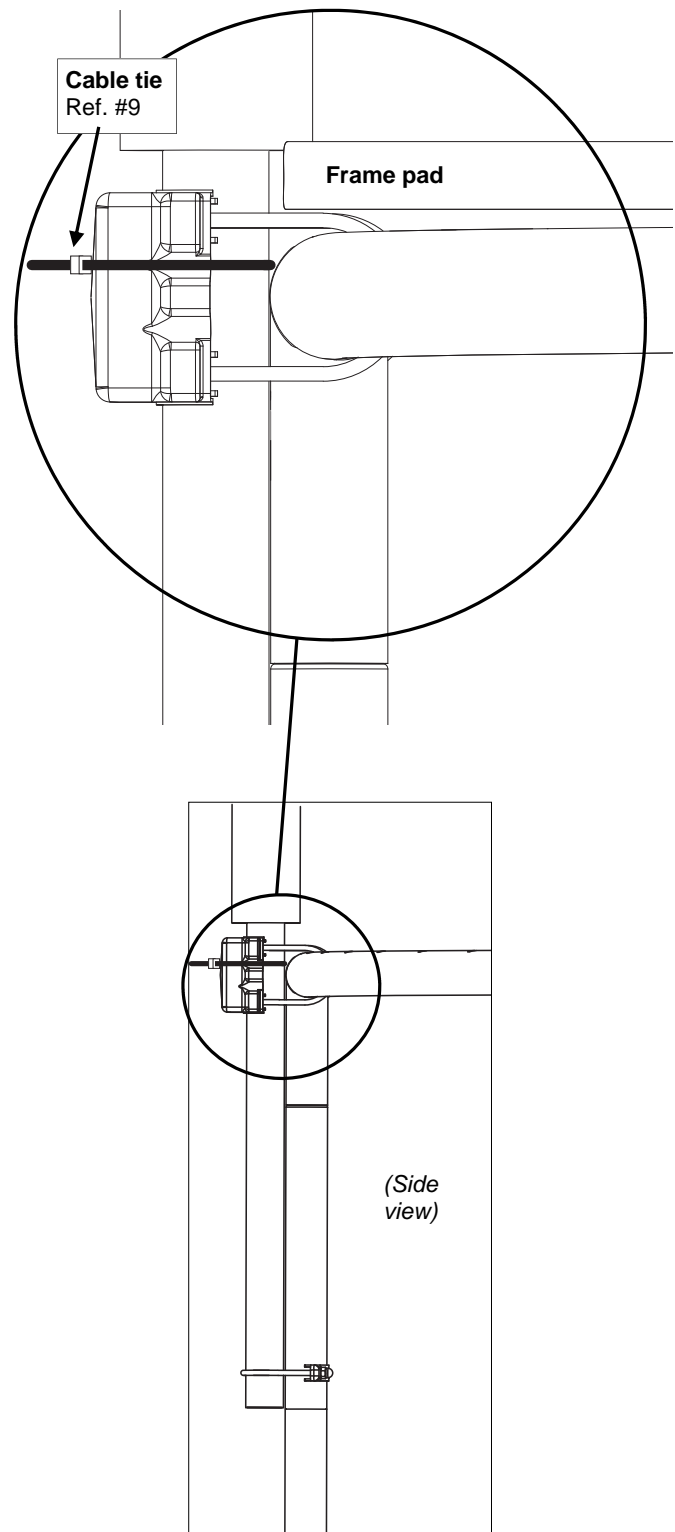
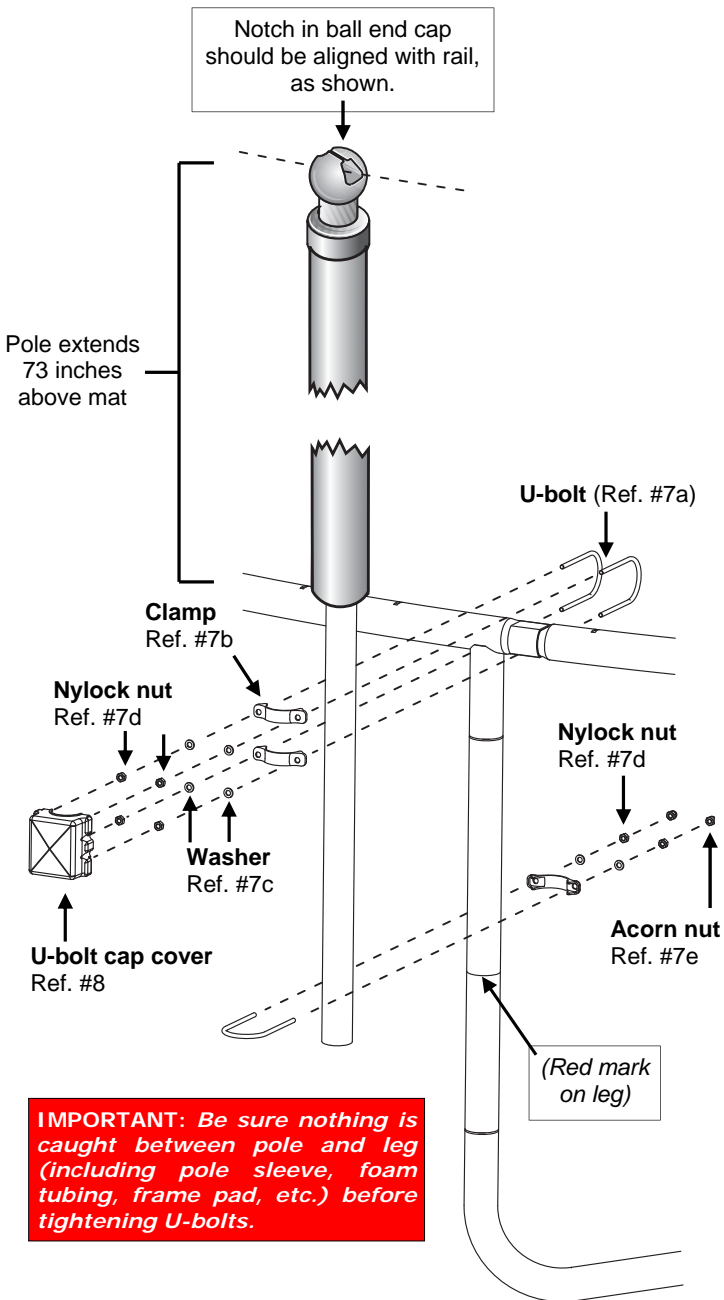
1) Build all pole assemblies as shown. (Pole sleeve and foam will fit tightly up inside ball end cap.) See page 8 for detailed part descriptions.

Assembly and Installation Instructions



Note: If your trampoline has 6 sets of u-shaped legs instead of 4, use the above diagram for pole placement.

Assembly and Installation Instructions

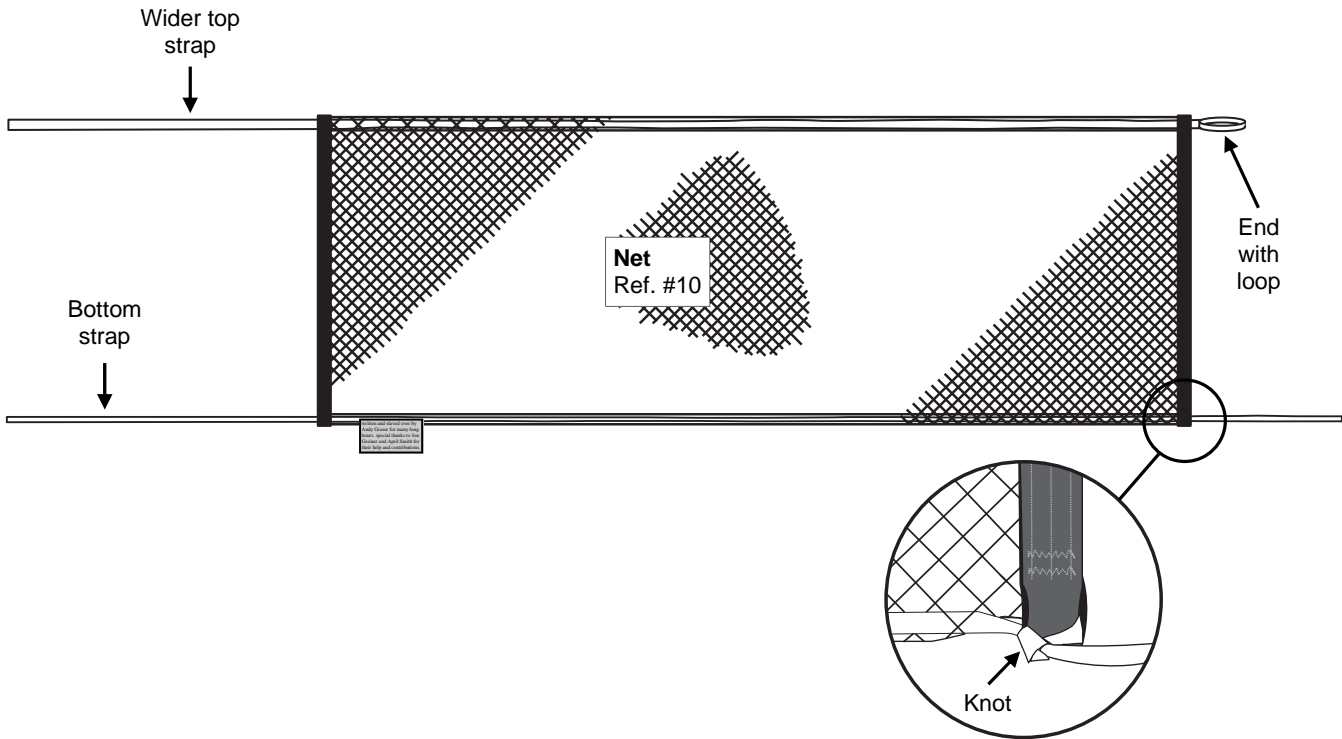


2) Using the hardware provided, connect a pole to the outside of each trampoline leg:

- If you have a JumpSport Trampoline, bottom of pole must line up with red mark on vertical leg piece. This will ensure that pole is at proper height. (If red marks are missing, see below.)
- If you do not have red marks on your trampoline legs, the safety enclosure pole should extend 73 inches (6 feet 1 inch) above the jumping surface (mat), as shown above.
- Align notch in ball end cap with rail as shown above.
- Bottom U-bolt should be approximately 2 inches above bottom of pole.
- Snugly tighten Nylock nuts.
- Hand-tighten acorn nuts.

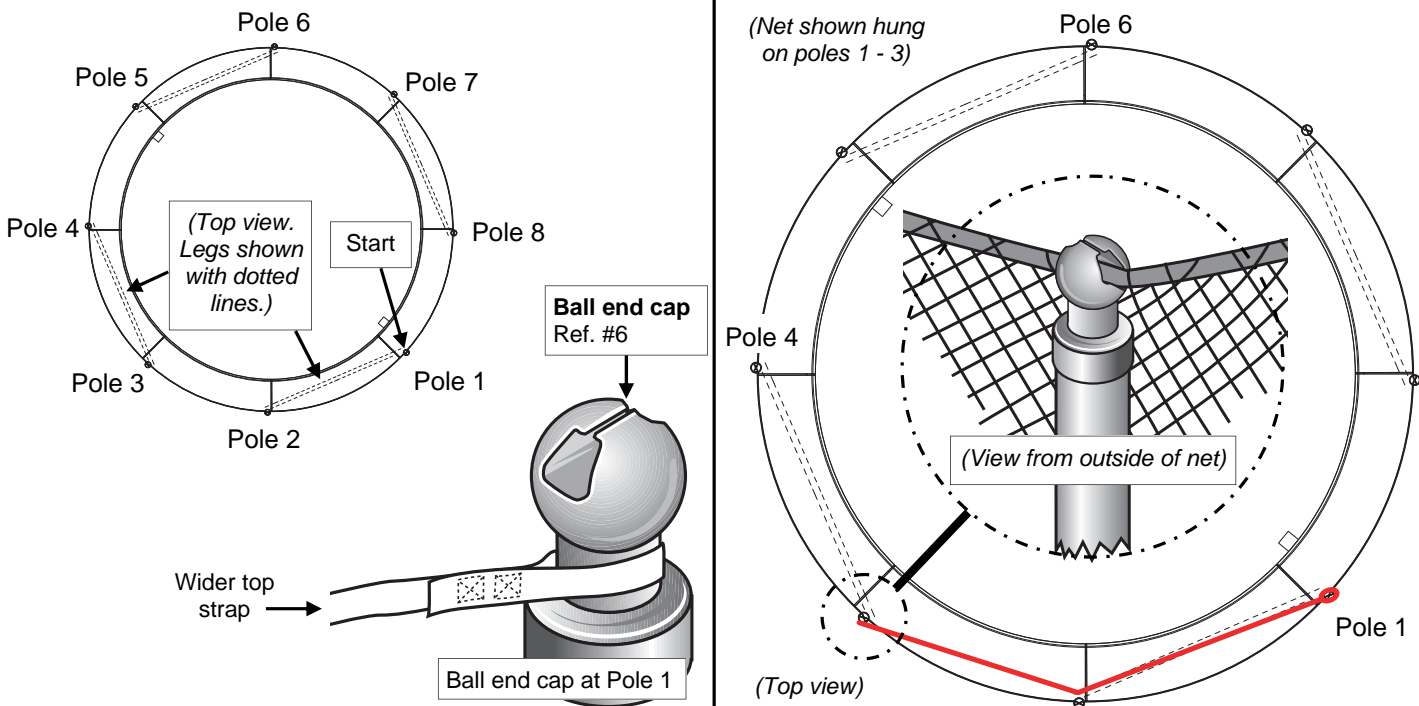
3) Wrap cable tie around U-bolt cap cover and pole. Secure cable tie to hold cap cover in place.

Assembly and Installation Instructions



4) Familiarize yourself with the net. The net has a wider strap at the top of the net. There are red marks on the top and bottom straps of net to help with installation. However, the red marks will NOT line up with the poles if you do not have a 14ft or 16ft trampoline. If you have a 480XT net, there will be no red marks on the straps at all.

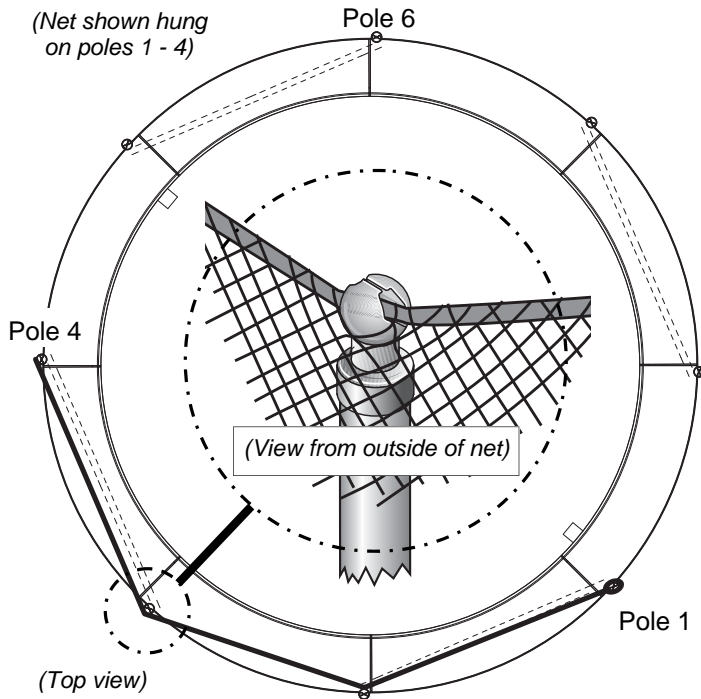
IMPORTANT: *There are knots in all 4 corners of the net. These knots should not be removed for any reason, and are required in order for the net to install properly.*



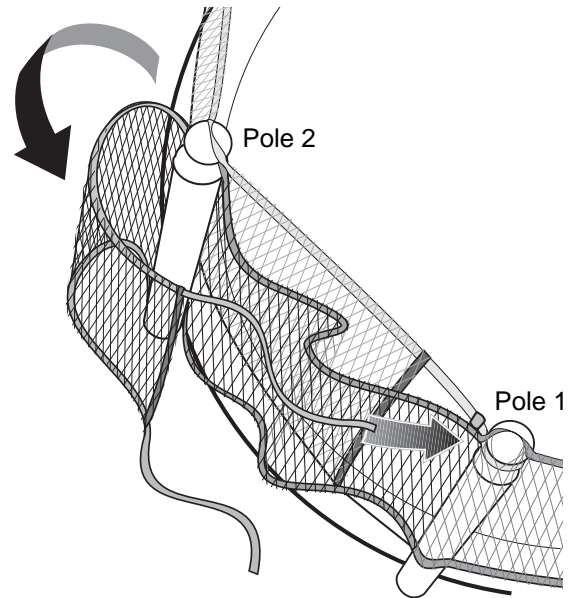
5) Top strap of net is slightly wider than bottom strap. Wider strap *must* be at top of net. Place looped end of top strap of net around ball end cap at pole 1. Pole 1 *must* be at a right vertical leg piece.

6) Hang net clockwise along the *inside* of pole 2. Top strap and 1 mesh of netting must rest in groove on top of ball end cap. Top strap should hang slightly curved between poles 1 and 2.

Assembly and Installation Instructions

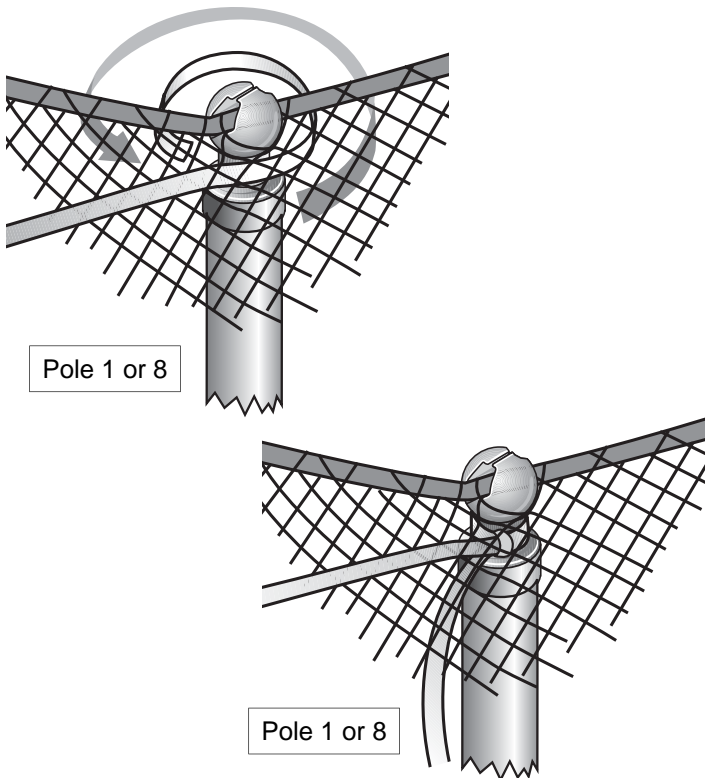


7) Now hang net clockwise around *outside* of all remaining poles. Top strap and 1 mesh of netting must rest in groove on top of ball end cap. Top strap should hang slightly curved between poles.

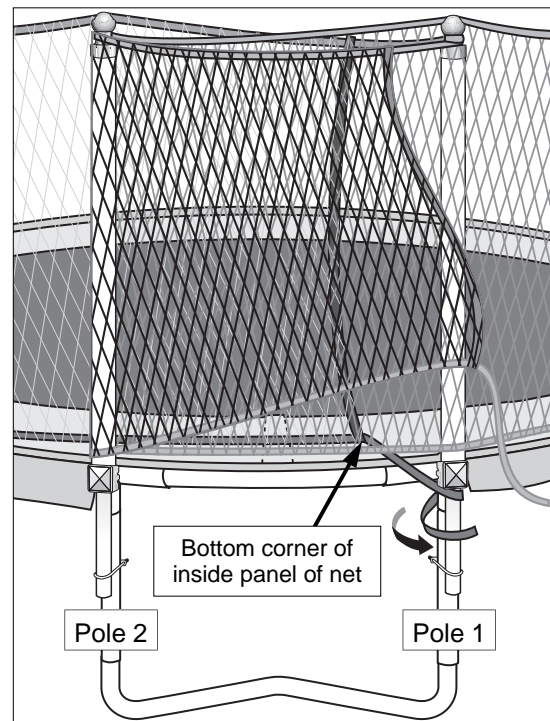


8) Continue back to pole 1. Hang net around *outside* of pole 1, with top strap and 1 mesh of netting resting in groove on top of ball end cap. Then pull net to pole 2. Wrap net around *inside* of pole 2, around neck of ball end cap, and double it back on itself toward pole 1. Then net will be able to pull back to pole 1 or even pole 8.

Note: Bottom of net in some locations may not be touching trampoline at this time. This is normal.



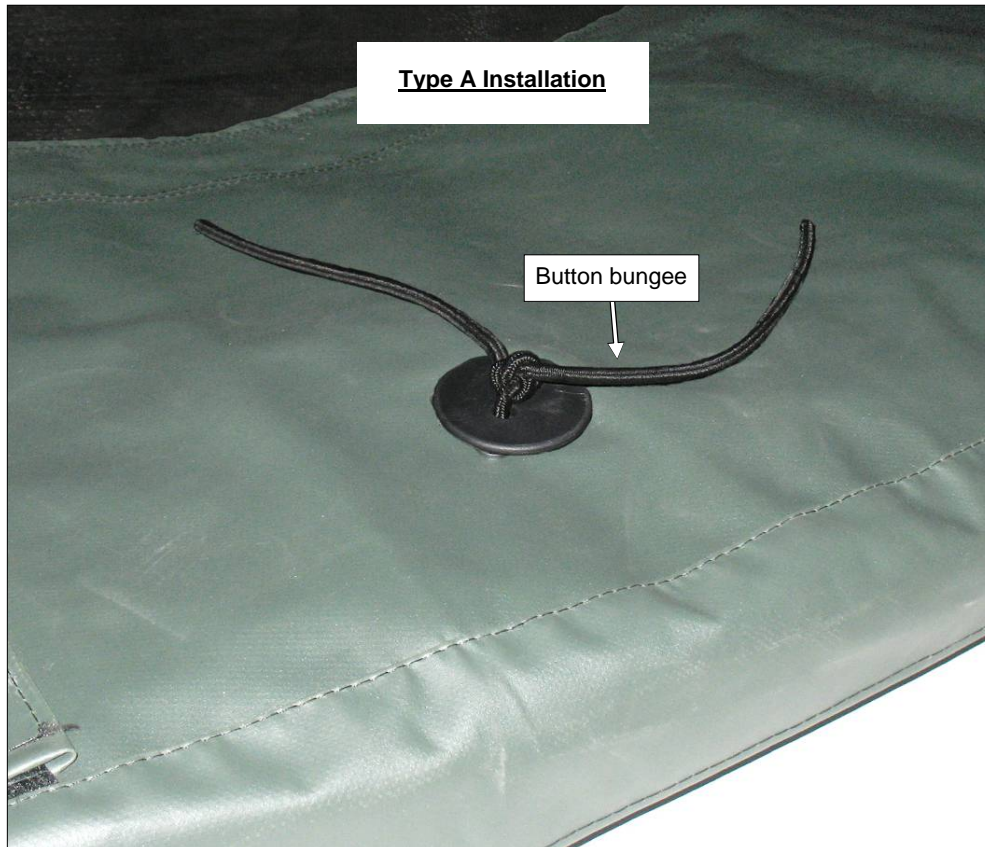
9) Feed top strap through top of net near pole 1 (or pole 8 if net itself can be pulled past pole 1). Wrap top strap around ball end cap to secure it. Then tie a double knot in the strap. Loosely wrap excess strap around pole 1 (or pole 8), and tie off loose end as well on the pole as you can.



10) At starting edge of net (where you first hung the net on pole 1), find the bottom corner. Pull bottom corner toward pole 1. Wrap bottom strap of net around pole 1, below rail of trampoline, as shown. Secure with a strong knot.

Note: When you are done, the strap should be wrapped and tied so that there is no excess hanging.

Assembly and Installation Instructions

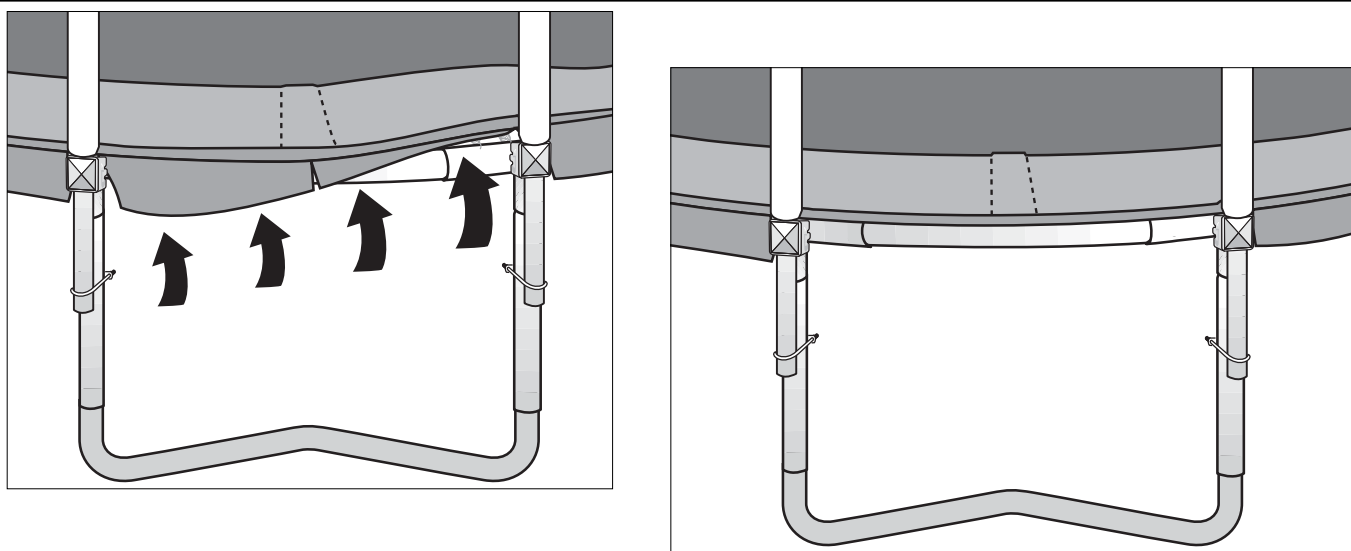


11) If your trampoline frame pad has button bungees going through the large pad section of pad—as shown above—continue to the next step for **Type A Installation**.

If your trampoline frame pad does NOT have button bungees going through middle of pad, skip to page 21 for **Type B Installation**.

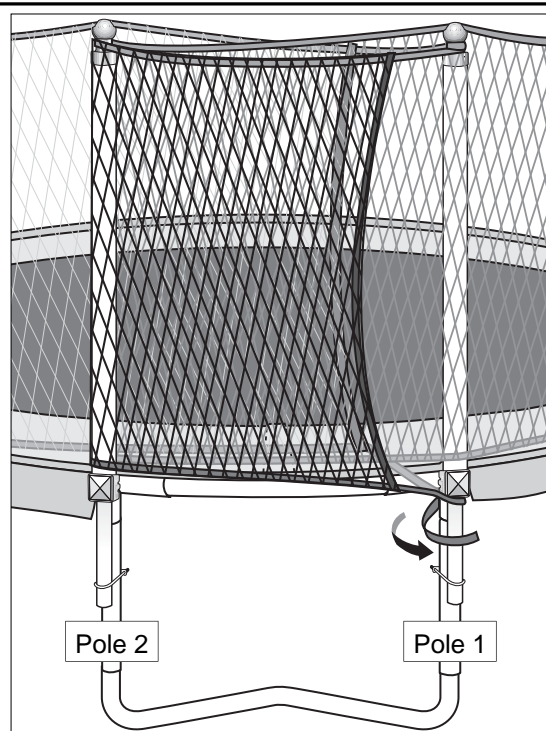
Type A Installation

Note: Use page 8 to help with part names and numbers. **All parts may not be used for this installation.**



12) Find pole that you tied off to top of net in Step 9. Lift frame pad between that pole and pole to left of it. Tuck pad skirt up underneath pad, so skirt is wedged between bottom of pad and rail of trampoline.

Note: If you attached your net to pole 8 in Step 9, then you also need to tuck pad skirt up underneath pad between poles 1 and 2.

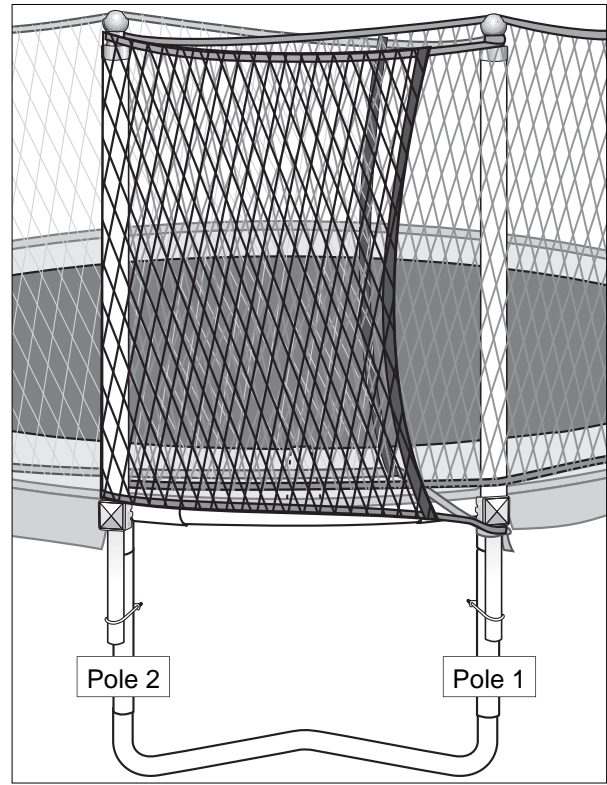
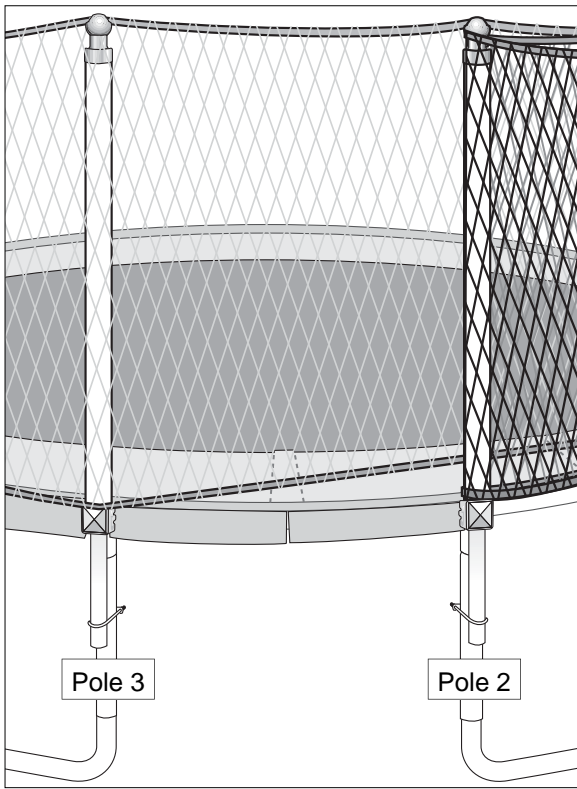


Note: All the pictures in this manual show the net tied off to pole 1, for illustrative purposes. However, your net may be tied off to pole 8 instead of pole 1.

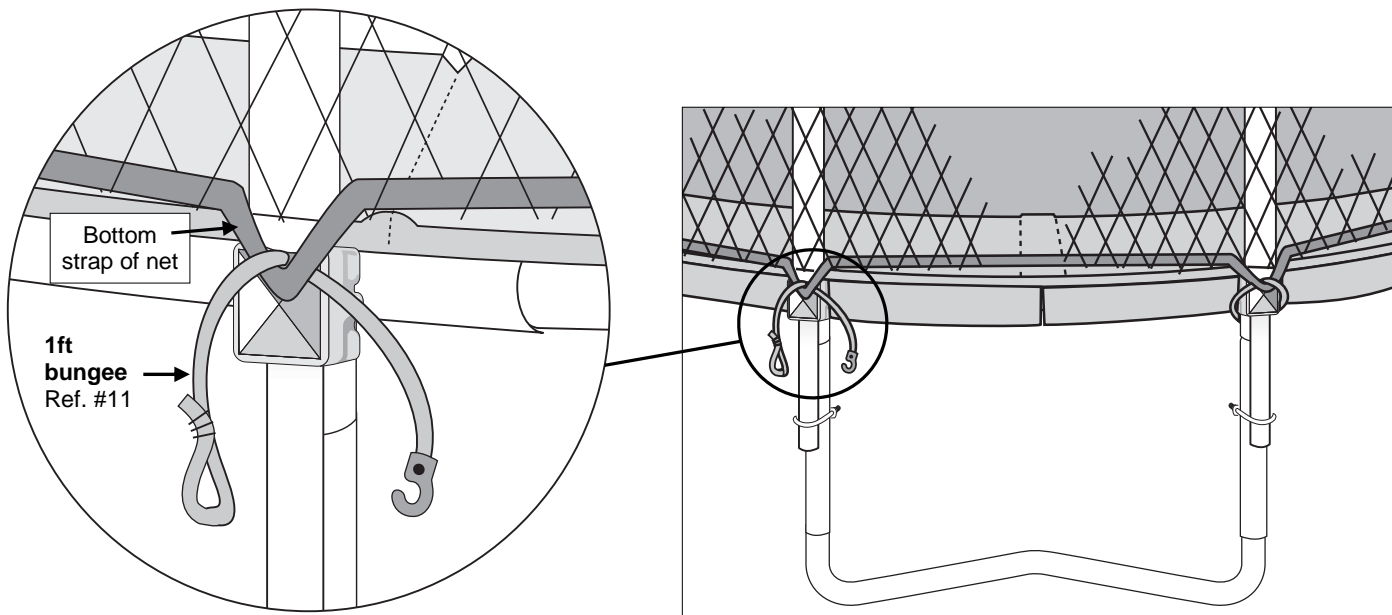
13) At outer panel of net, pull the bottom corner strap straight across to same pole that you tied top of net to in Step 9. Wrap bottom strap around this pole and secure with a strong knot.

Note: When you are done, the strap should be wrapped and tied so that there is no excess hanging.

Assembly and Installation Instructions—Type A Installation

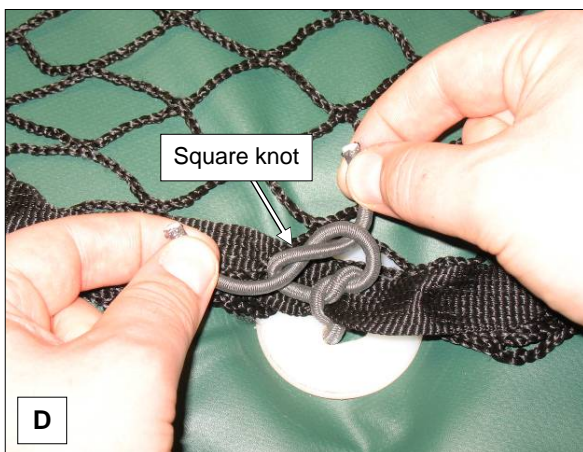
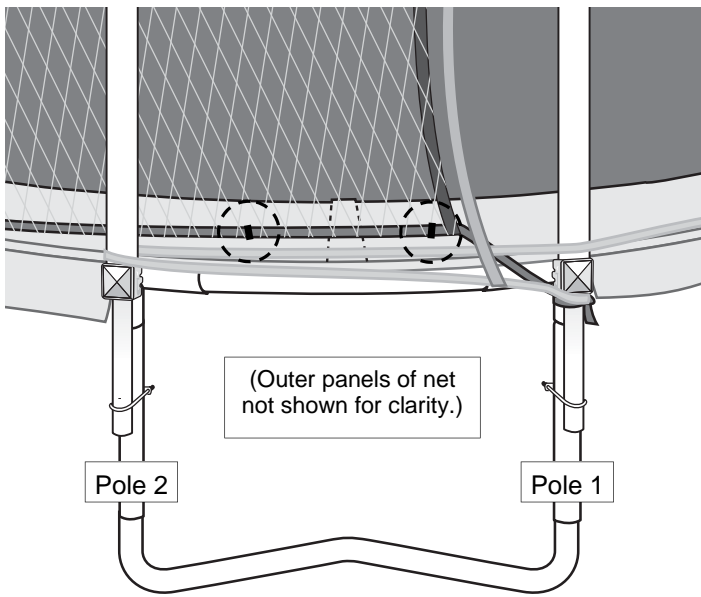


14) The net between poles 1 and 3 should now look like the above pictures (but the pictures will only match if your net tied off to pole 1 instead of pole 8). For a top down view, see page 27.



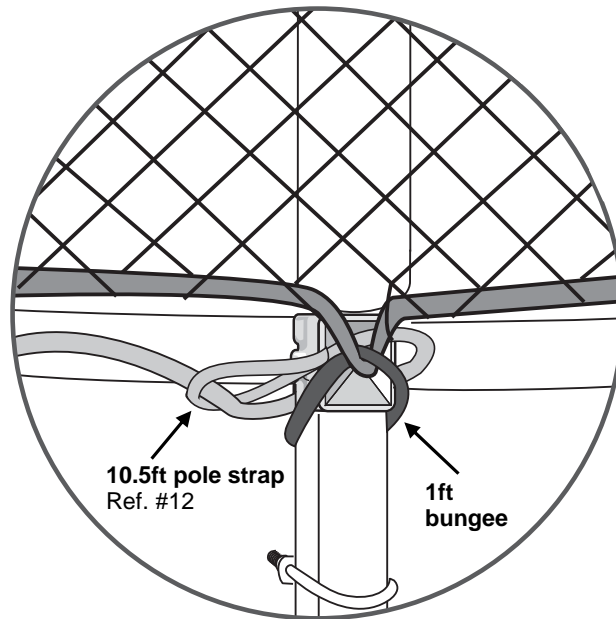
15) Starting at pole 2 and working clockwise around trampoline, pull bottom of net down pole, so that bottom strap of net is positioned below bottom of pole foam. Wrap a 1ft bungee around bottom strap of net, then around trampoline leg, and connect ends of bungee together under trampoline frame. *Ignore red marks on bottom strap if there are any.*

>> Repeat at all other poles, continuing to work clockwise around trampoline.

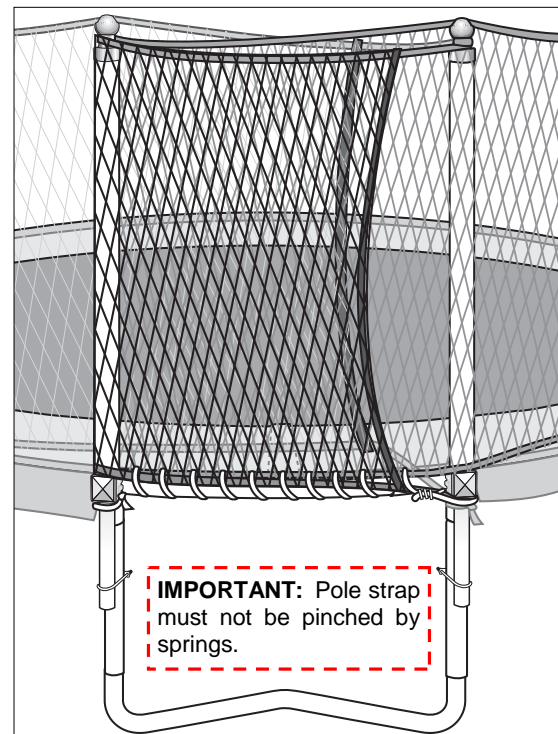
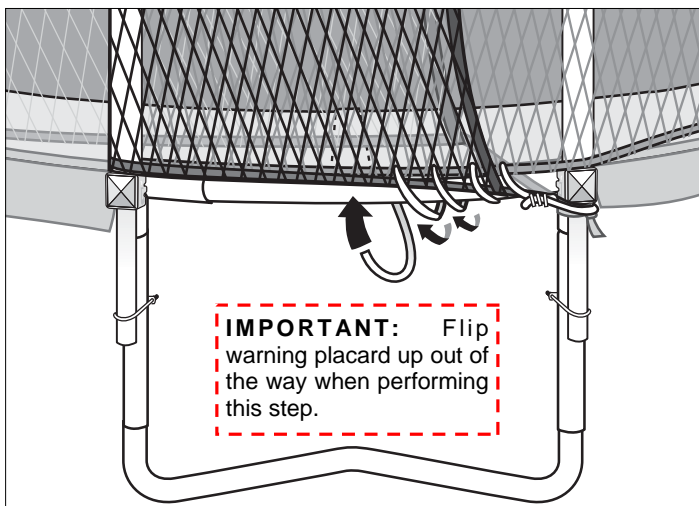


16) Find the 2 button bungees on top of frame pad between poles 1 and 2. Secure bottom strap of *inner* panel of net at each button bungee with a square knot, as shown.

Assembly and Installation Instructions—Type A Installation



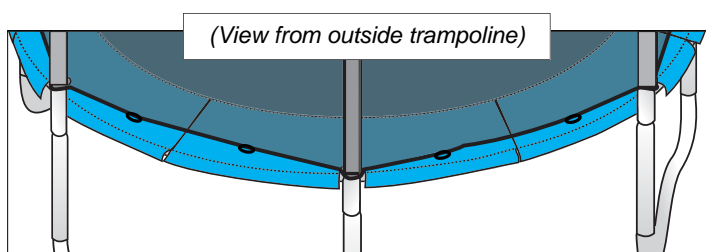
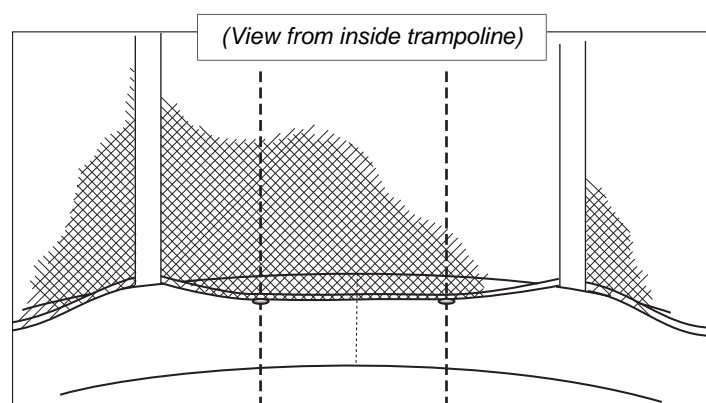
17) At pole that you tied off top of net to in Step 9, wrap a 10.5ft pole strap around the vertical leg piece as shown. Strap must wrap around pole and leg below rail, and behind 1ft bungee. Then pull non-looped end of pole strap all the way through looped end.



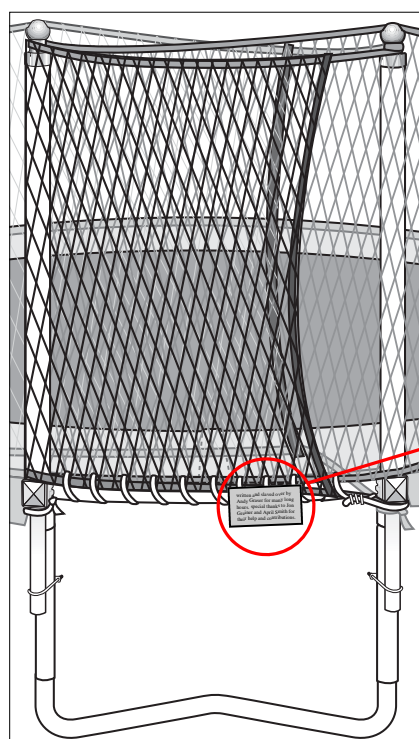
18) Wrap 10.5ft pole strap around rail and through bottom strap of *both* outer panels of net. Then continue wrapping 10.5ft pole strap around rail toward next pole to the left. Pole strap should wrap once around rail between each spring before getting to next pole. Secure at that pole with a strong knot.

Note: When you are done, the strap should be wrapped and tied so that there is no excess hanging.

Assembly and Installation Instructions—Type A Installation



19) Secure bottom strap of net to each button bungee sticking out of top of frame pad. *Do not wrap pole strap around net mesh, only around bottom strap of net.* Tie bungee to bottom strap of net as shown in Step 16.

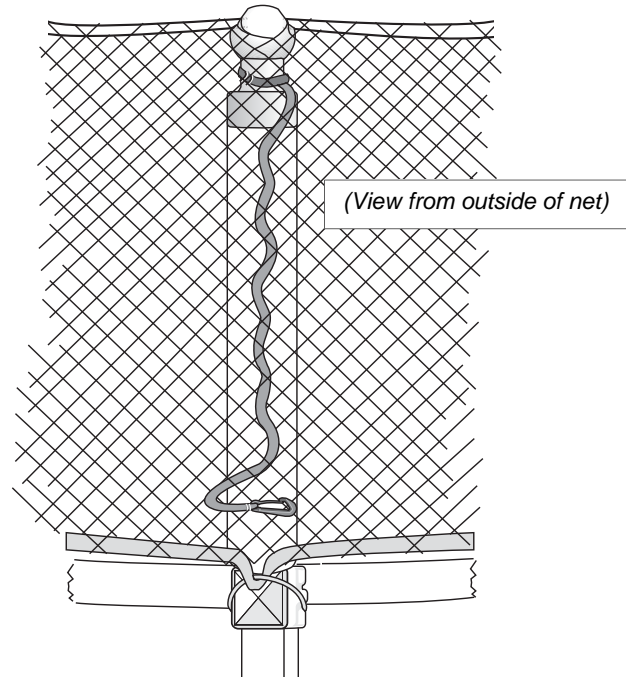
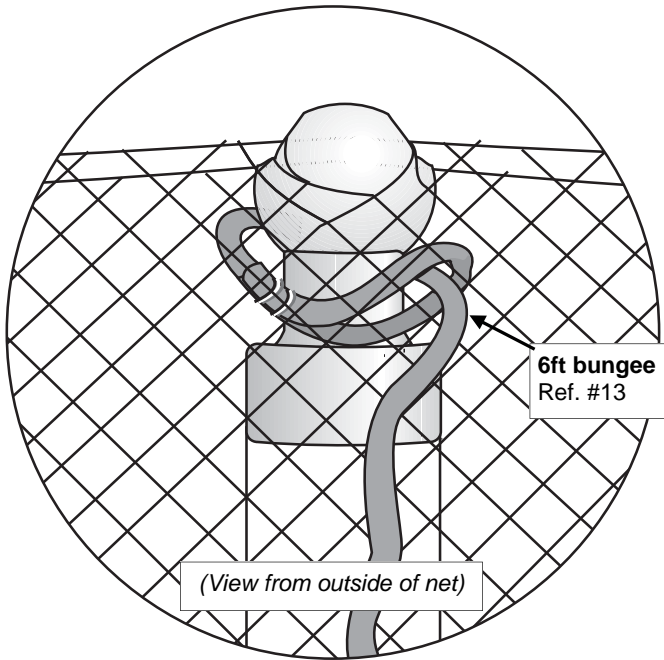


Warning placard

20) Be sure the warning placard attached to the bottom strap of net (at the doorway) is clearly visible at all times.

If you have a Model 280 Safety Enclosure, installation is now complete! For all other enclosure models, continue to the next step.

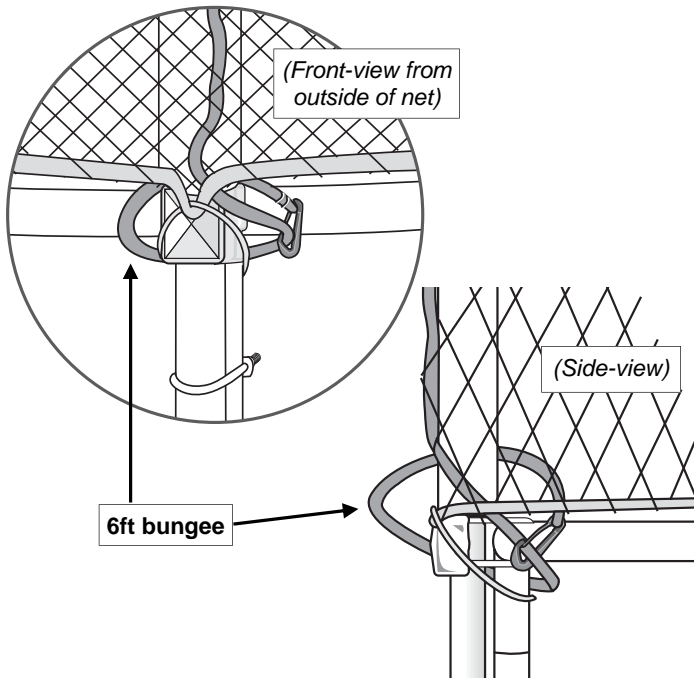
**Assembly and Installation Instructions (Models 120, 380, 480, & 480XT only)–
Type A Installation**



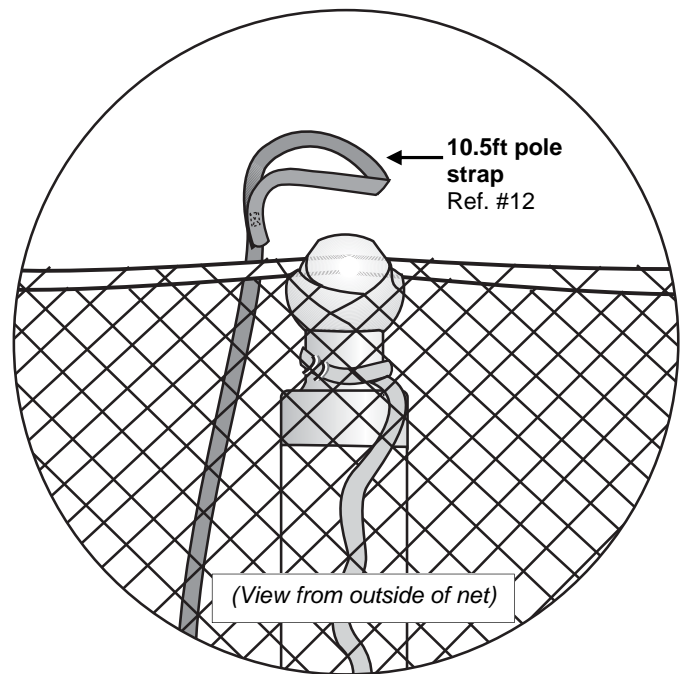
21) Steps 21–26 are for Models 120, 380, 480, and 480XT only. If you have a 280, installation is now complete:

At top of net, wrap a 6ft bungee around ball end cap. Then pull hooked end of bungee all the way through looped end of bungee so that bungee is snug.

22) Weave 6ft bungee in and out of approximately every 3 squares of net, on outside of pole. Bungee will weave on inside of net for 3 squares, outside of net for 3 squares, inside of net for 3 squares, etc.



23) Wrap 6ft bungee around vertical leg piece, under trampoline rail. Secure hooked end of bungee to bungee itself, between pole and rail, as shown.

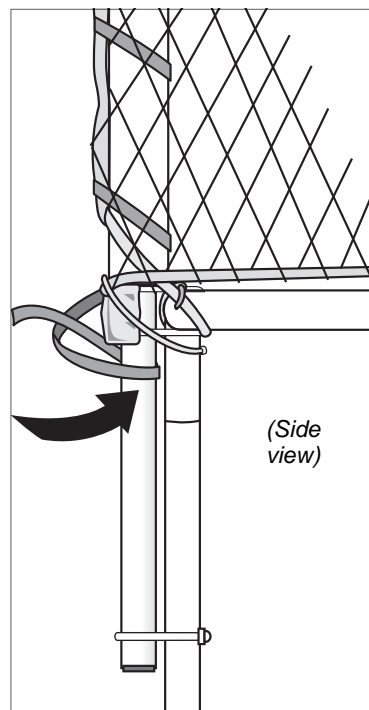
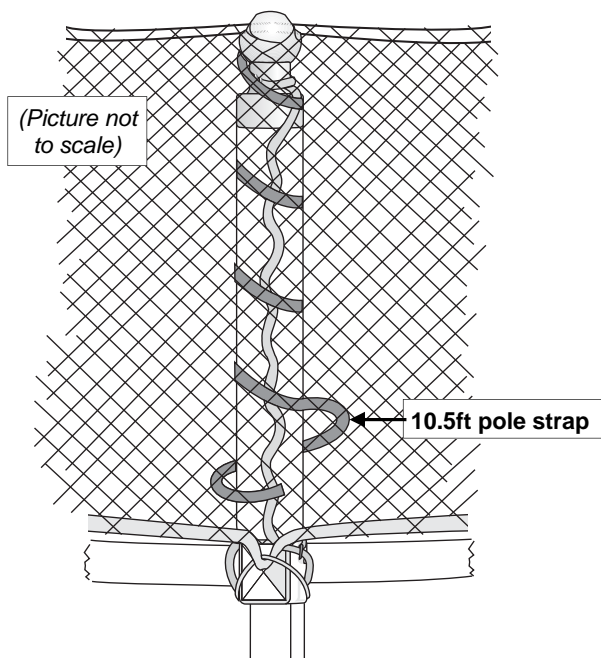


24) Place loop of 10.5ft pole strap in slot of ball end cap. Pole strap should hang on *inside* of net.

>> Repeat Steps 21 – 23 at all remaining poles.

Assembly and Installation Instructions (Models 120, 380, 480, & 480XT only)–

Type **A** Installation

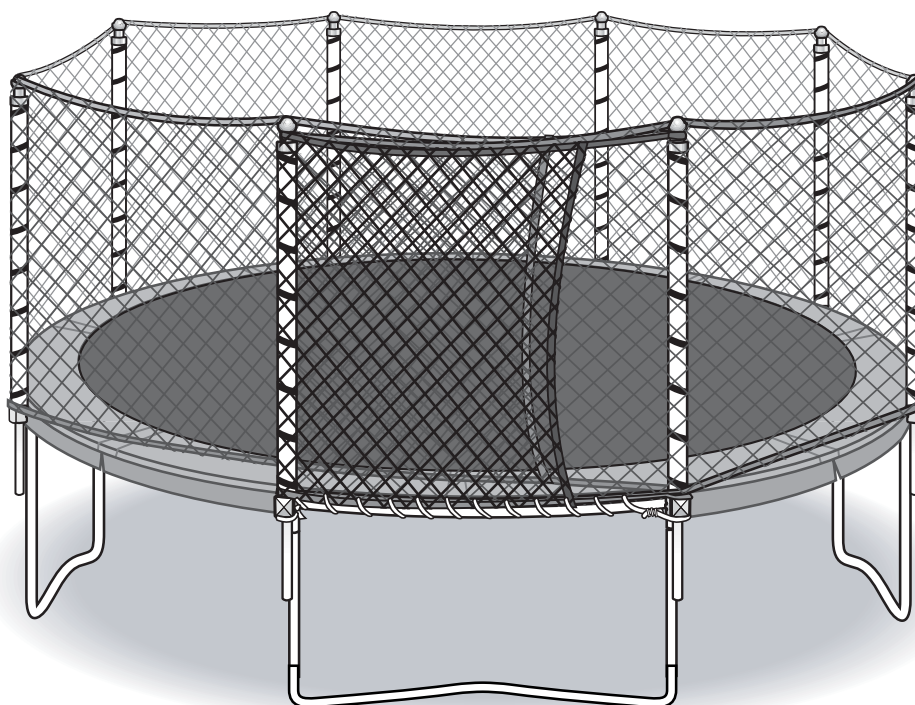


25) Wrap 10.5ft pole strap around pole and around the 6ft bungee that is on the *inside* of the net. Do not wrap pole strap around net mesh, only around 6ft bungee on the inside sections of net. This will create approximately 5–8 wraps.

26) Tie end of 10.5ft pole strap off with a firm knot at bottom of pole, just below rail.

Note: When you are done, the strap should be wrapped and tied so that there is no excess hanging.

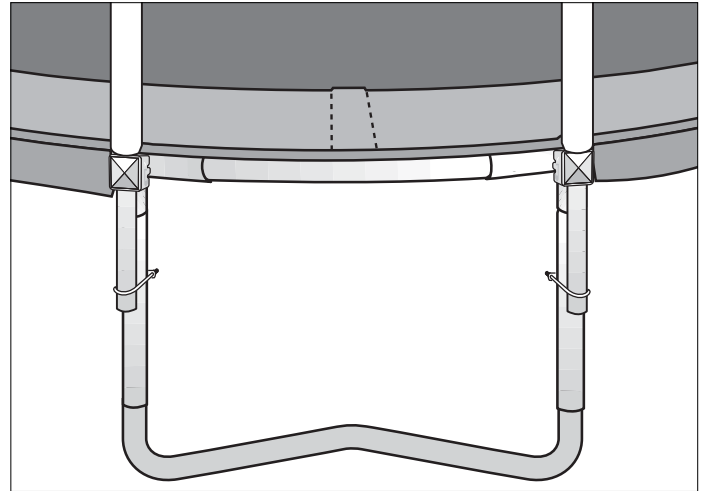
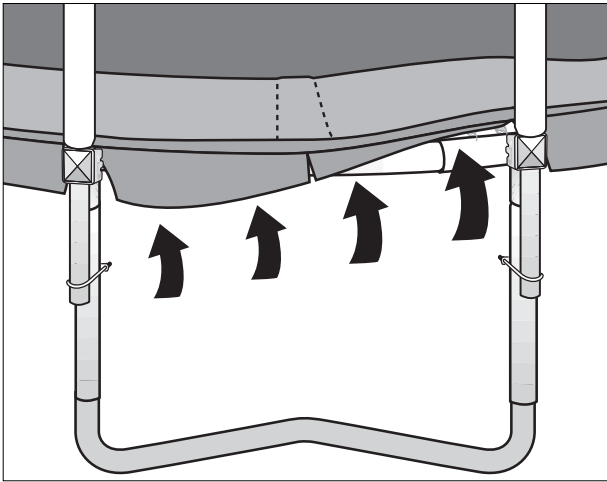
>> Repeat Steps 24–26 at all remaining poles, **EXCEPT pole 2.**



Your safety enclosure is now complete!

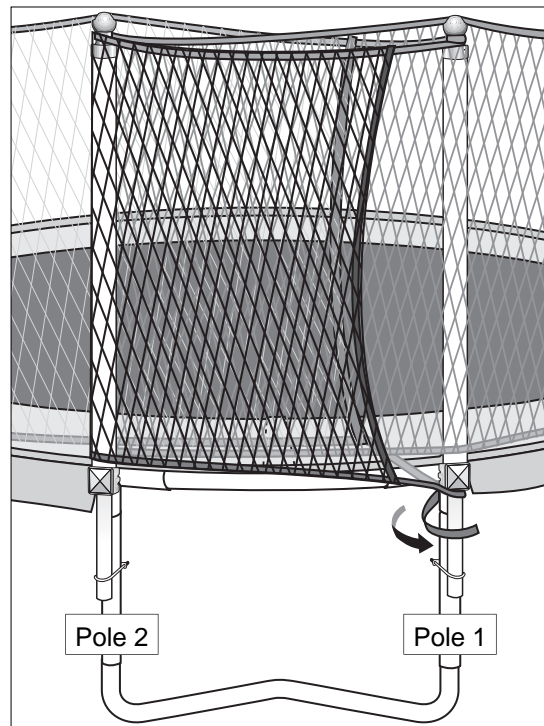
Type B Installation

Note: Use page 8 to help with part names and numbers. All parts may not be used for this installation.



12) Lift frame pad between poles 1 and 2. Tuck pad skirt up underneath pad, so skirt is wedged between bottom of pad and rail of trampoline.

>> Repeat this step all the way around the trampoline so that the pad skirt is tucked underneath the pad between each set of poles.

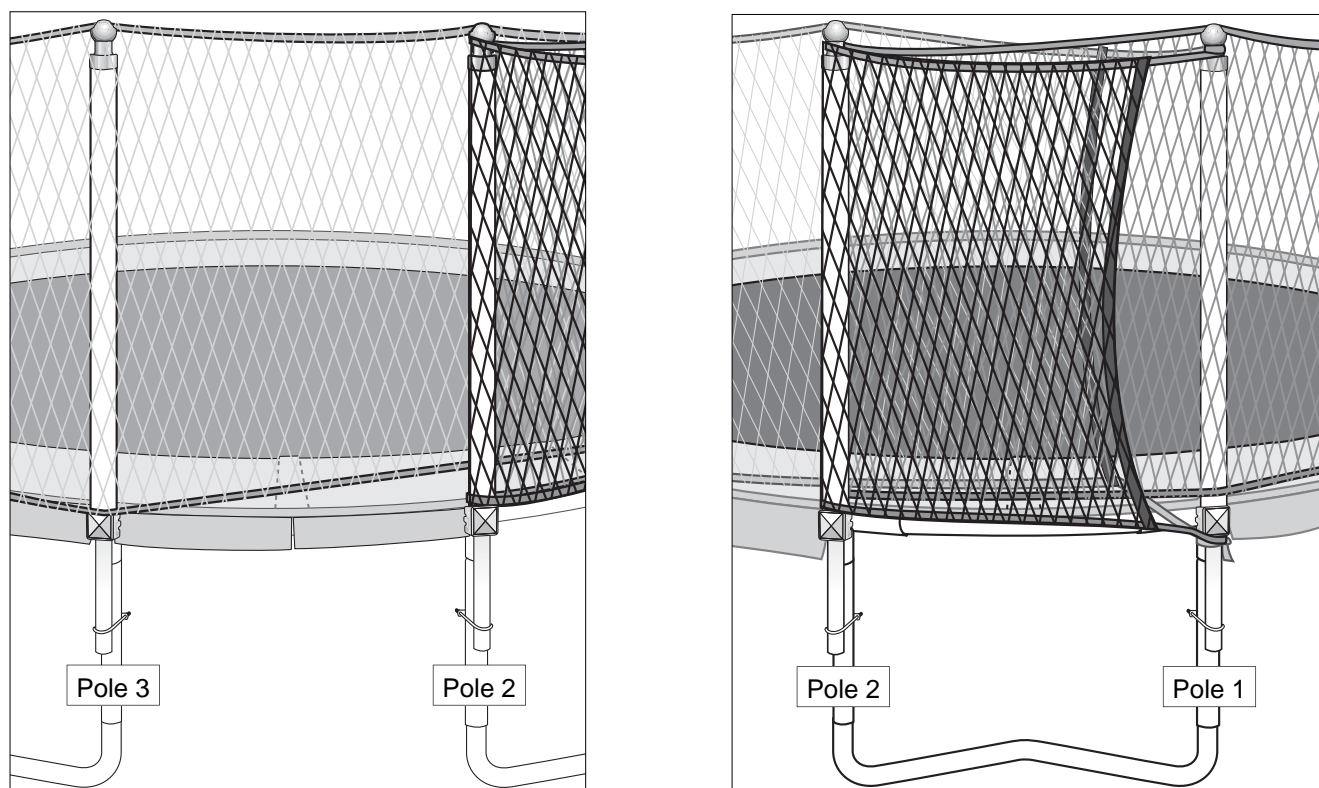


Note: All the pictures in this manual show the net tied off to pole 1, for illustrative purposes. However, your net may be tied off to pole 8 instead of pole 1.

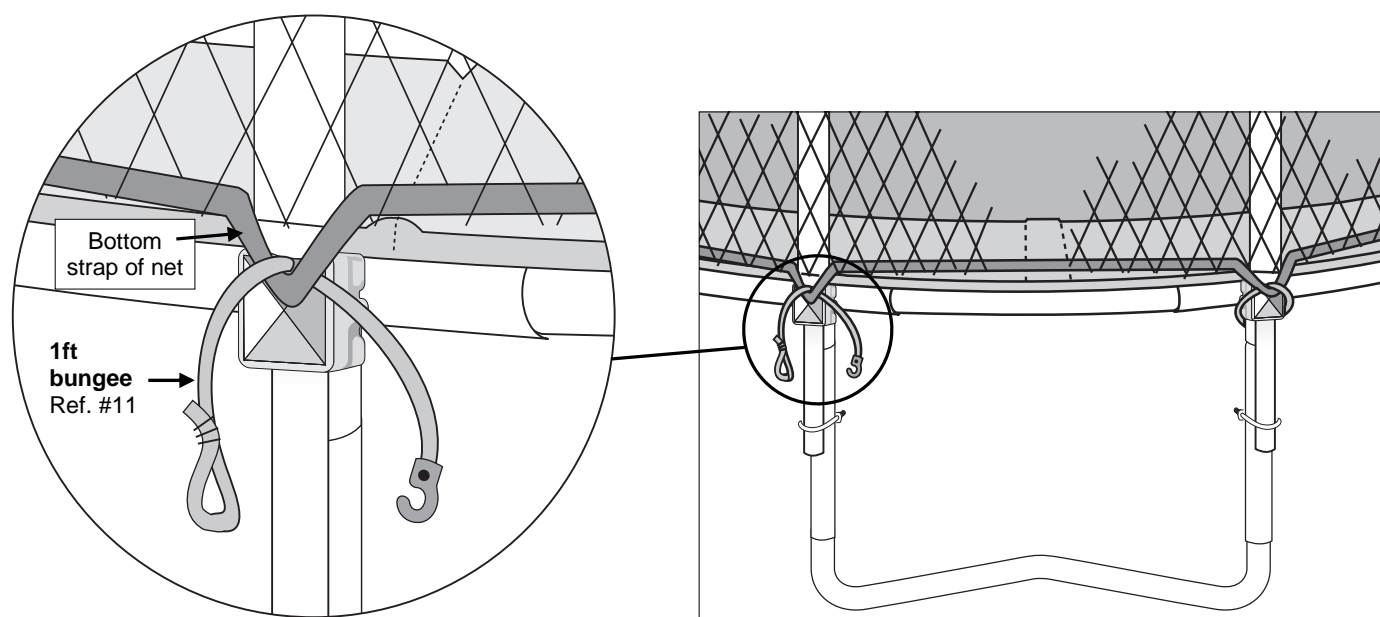
13) At outer panel of net, pull the bottom corner strap straight across to same pole that you tied top of net to in Step 9. Wrap bottom strap around this pole and secure with a strong knot.

Note: When you are done, the strap should be wrapped and tied so that there is no excess hanging.

Assembly and Installation Instructions—Type B Installation



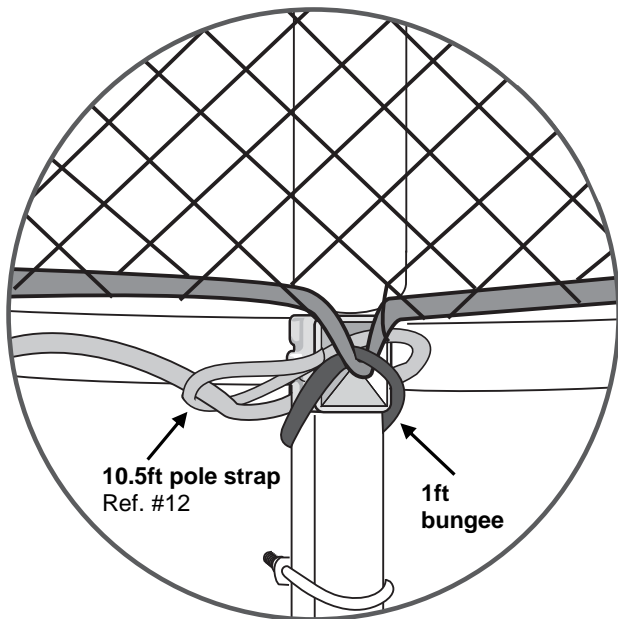
14) The net between poles 1 and 3 should now look like the above pictures (but the pictures will only match if your net tied off to pole 1 instead of pole 8). For a top down view, see page 27.



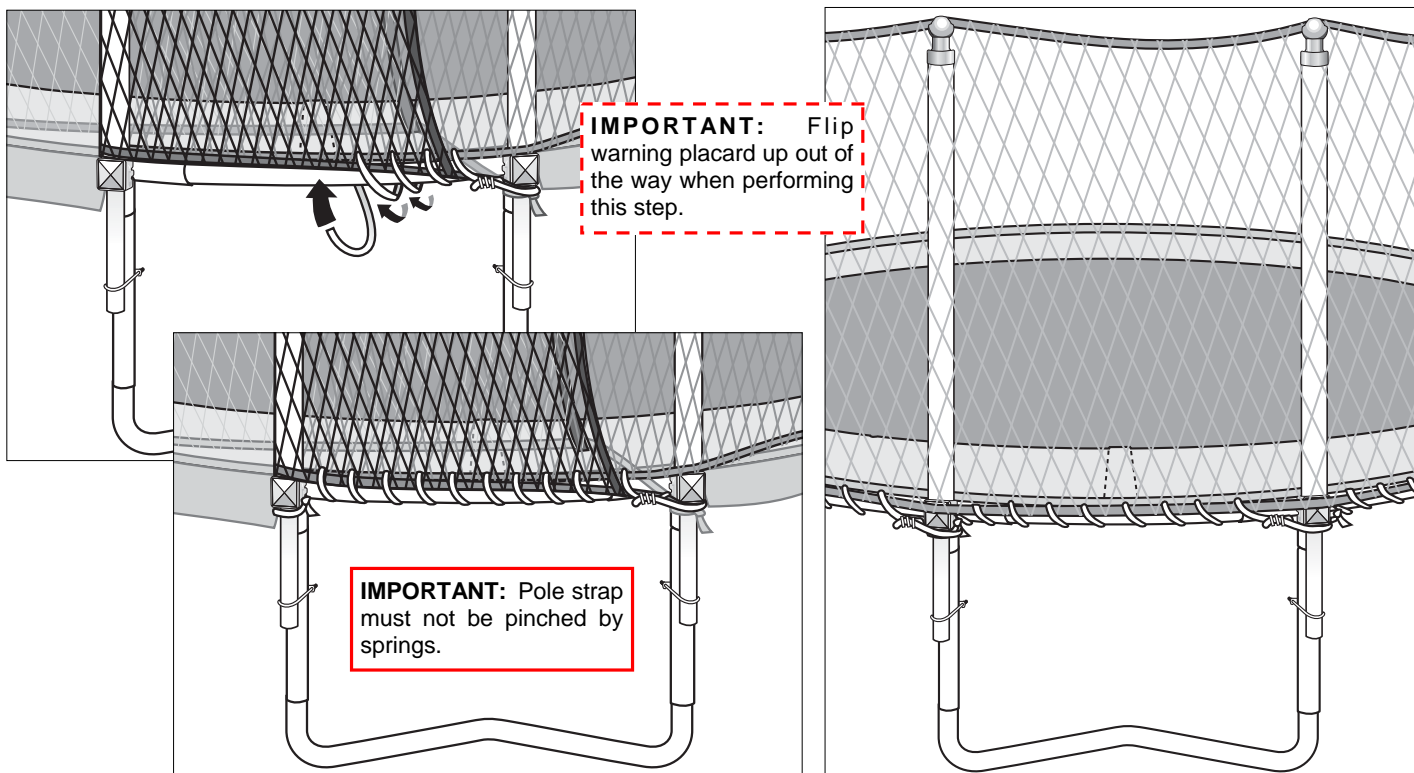
15) Starting at pole 2 and working clockwise around trampoline, pull bottom of net down pole, so that bottom strap of net is positioned below bottom of pole foam. Wrap a 1ft bungee around bottom strap of net, then around trampoline leg, and connect ends of bungee together under trampoline frame. *Ignore red marks on bottom strap if there are any.*

>> Repeat at all other poles, continuing to work clockwise around trampoline.

Assembly and Installation Instructions—Type B Installation



16) At pole that you tied off top of net to in Step 9, wrap a 10.5ft pole strap around the vertical leg piece as shown. Strap must wrap around pole and leg below rail, and behind 1ft bungee. Then pull non-looped end of pole strap all the way through looped end.

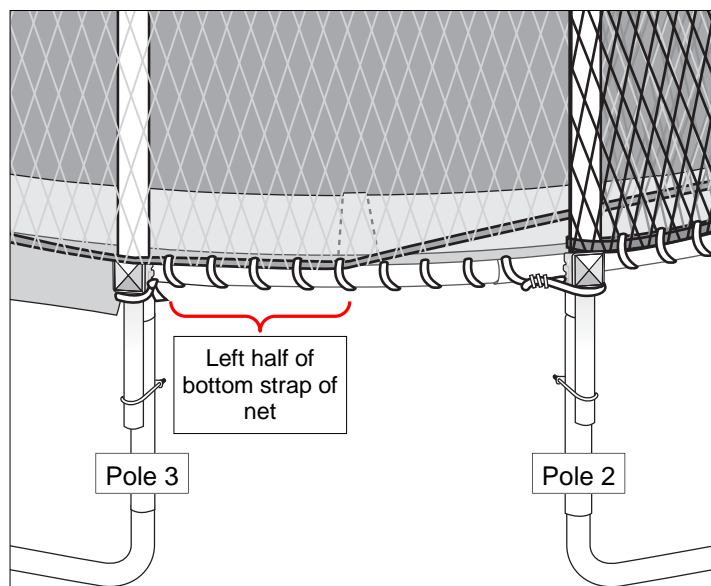


17) Wrap 10.5ft pole strap around rail and through bottom strap of *both* outer panels of net. Then continue wrapping 10.5ft pole strap around rail toward next pole to the left. Pole strap should wrap once around rail between each spring before getting to next pole. Secure at that pole with a strong knot.

Note: When you are done, the strap should be wrapped and tied so that there is no excess hanging.

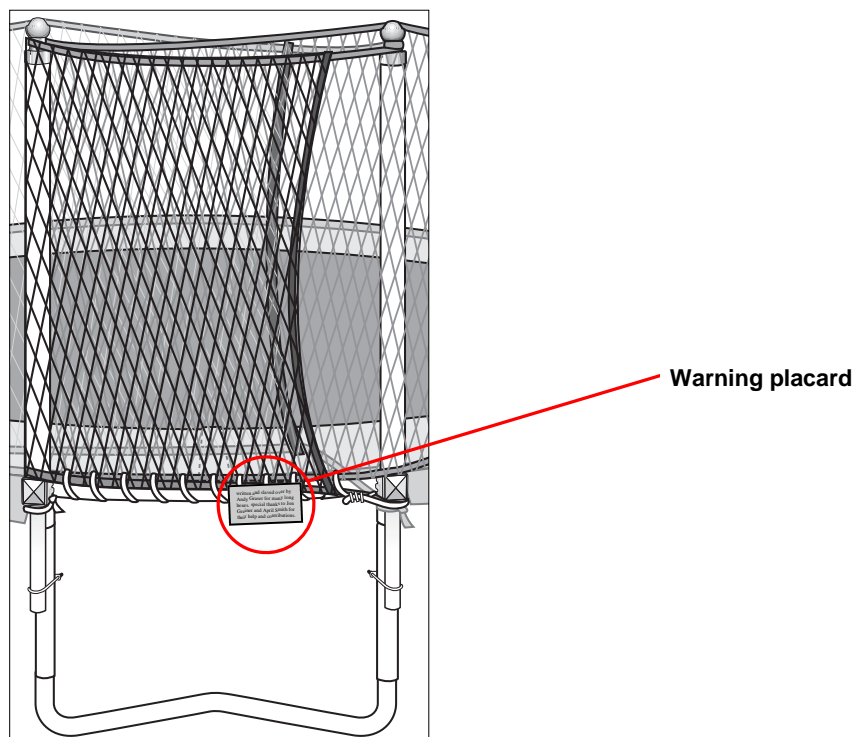
>> Repeat steps 16 and 17 at all other poles around trampoline, **EXCEPT between poles 2 and 3.** See next step for how to tie pole strap between poles 2 and 3. There may not be 2 outer panels of net, or an inner panel of net, all the way around the trampoline. This is normal.

Assembly and Installation Instructions—Type B Installation



18) Between poles 2 and 3, secure only the left half of bottom strap of net to trampoline rail. Pole strap will still wrap once between each spring all the way across the rail, but net itself will only be secured to rail on left half of net, as shown above.

Securing the net this way allows enough room for someone to enter the trampoline just to the left of pole 2.

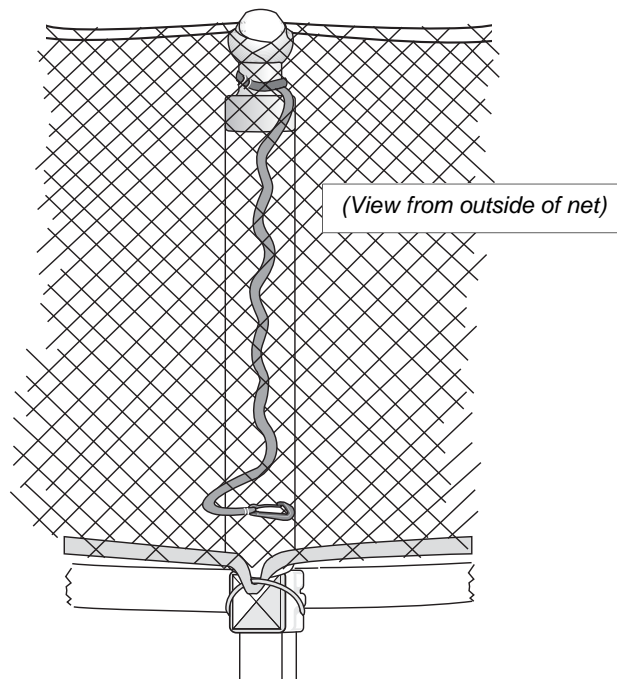
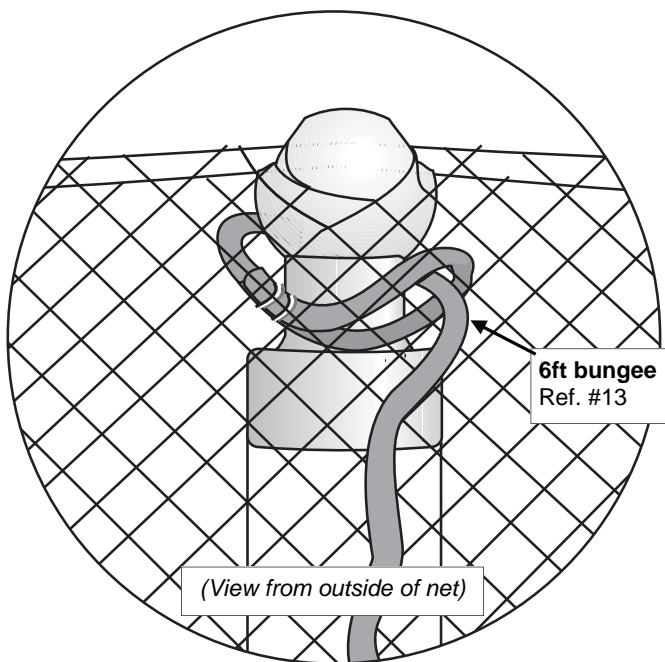


19) Be sure the warning placard attached to the bottom strap of net (at the doorway) is clearly visible at all times.

If you have a Model 280 Safety Enclosure, installation is now complete! For all other enclosure models, continue to the next step.

Assembly and Installation Instructions (Models 120, 380, 480, & 480XT only)–

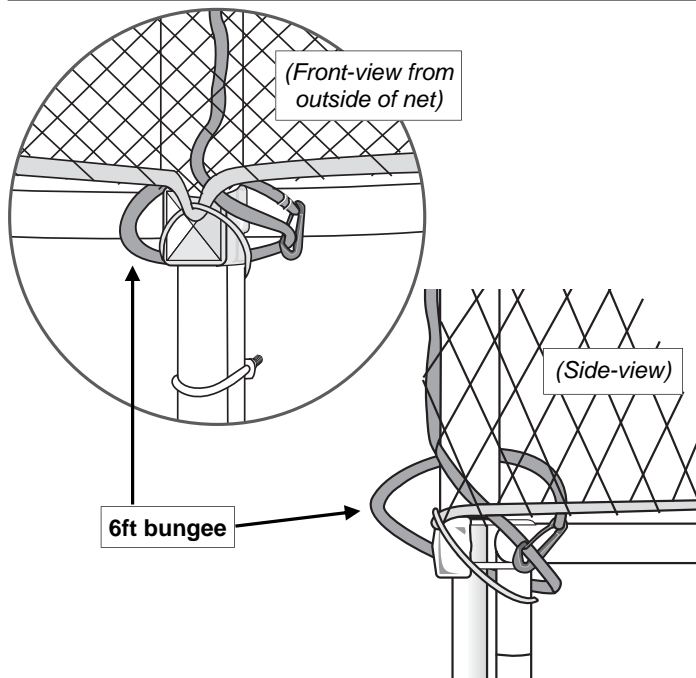
Type B Installation



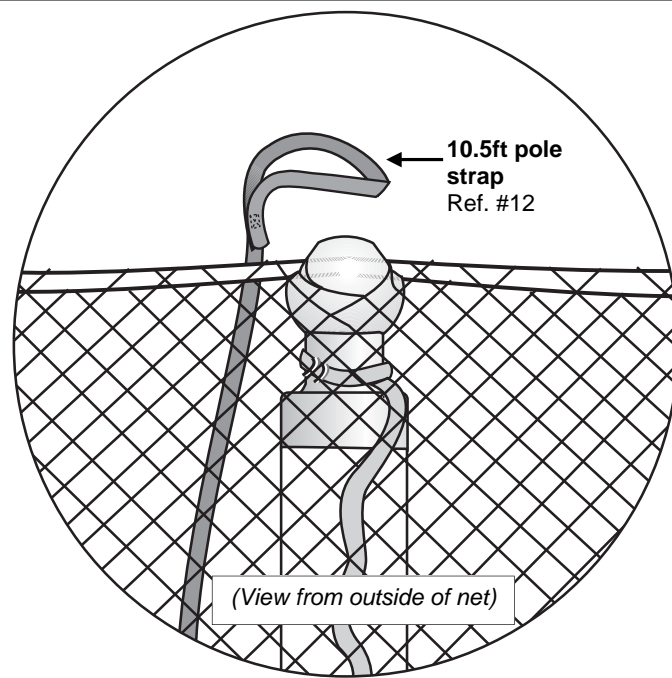
20) Steps 20–25 are for Models 120, 380, 480, and 480XT only. If you have a 280, installation is now complete:

At top of net, wrap a 6ft bungee around ball end cap. Then pull hooked end of bungee all the way through looped end of bungee so that bungee is snug.

21) Weave 6ft bungee in and out of approximately every 3 squares of net, on outside of pole. Bungee will weave on inside of net for 3 squares, outside of net for 3 squares, inside of net for 3 squares, etc.



22) Wrap 6ft bungee around vertical leg piece, under trampoline rail. Secure hooked end of bungee to bungee itself, between pole and rail, as shown.

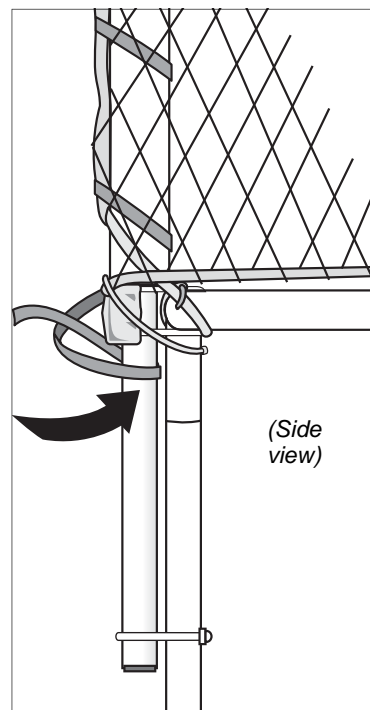
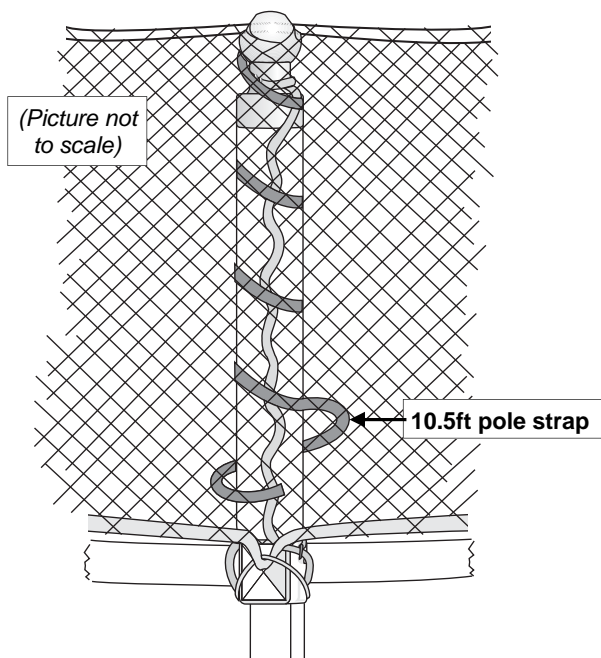


23) Place loop of 10.5ft pole strap in slot of ball end cap. Pole strap should hang on *inside* of net.

>> Repeat Steps 20–22 at all remaining poles.

Assembly and Installation Instructions (Models 120, 380, 480, & 480XT only)–

Type **B** Installation

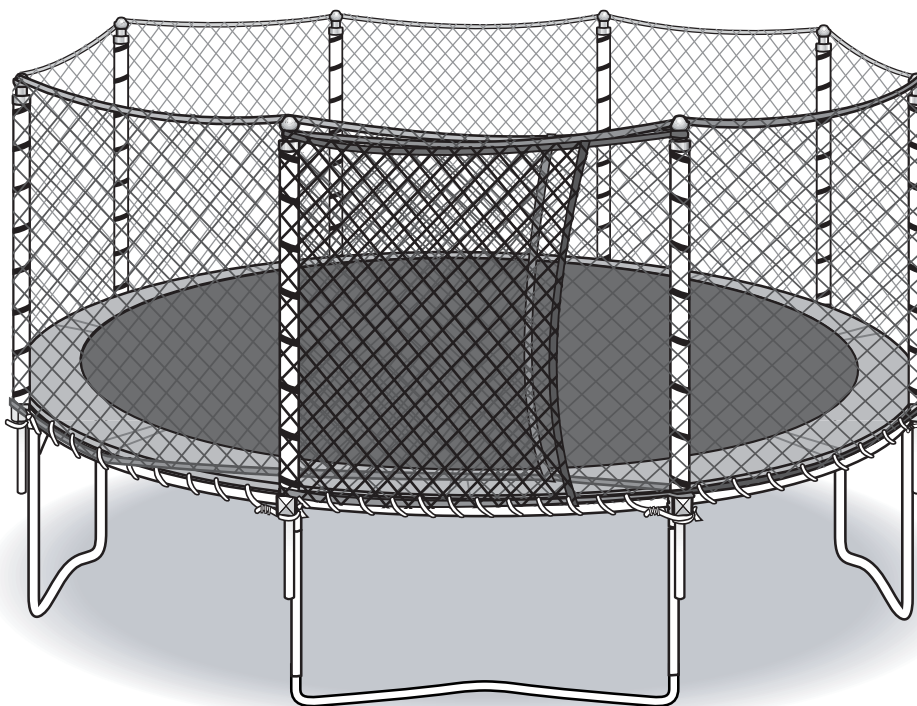


24) Wrap 10.5ft pole strap around pole and around the 6ft bungee that is on the *inside* of the net. Do not wrap pole strap around net mesh, only around 6ft bungee on the inside sections of net. This will create approximately 5–8 wraps.

25) Tie end of 10.5ft pole strap off with a firm knot at bottom of pole, just below rail.

Note: When you are done, the strap should be wrapped and tied so that there is no excess hanging.

>> Repeat Steps 23–25 at all remaining poles, **EXCEPT pole 2.**



Your safety enclosure is now complete!

Assembly and Installation Instructions

Final Steps

Assembly is now complete! Make sure all parts are securely assembled. Before using your JumpSport Safety Enclosure, familiarize yourself and all users with the *Care and Maintenance Instructions*, *Warning Information*, and *Use Instructions* included in this manual. See Diagram 1, below, to see how to properly enter the safety enclosure.

To register your JumpSport Safety Enclosure, visit our webpage at www.jumpsport.com and click on the [Product Registration](#) link.

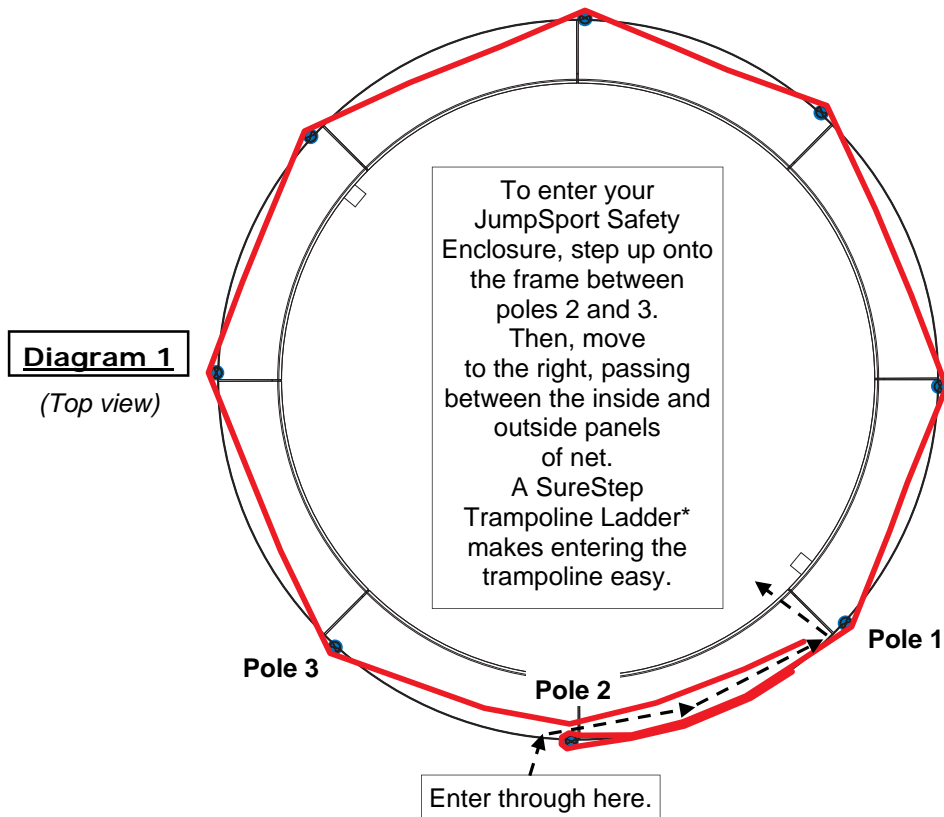
Note: The net may need periodic adjusting. Check the knots and straps regularly. If the net sags due to extended use, we recommend going back and repeating Step 5 all the way through to the end of the manual.



WARNING: Trampoline use is not recommended without the frame pad installed. The frame pad is designed to reduce the possibility of injury by protecting the user from coming into contact with the frame and springs of the trampoline. It is very important that you properly attach the frame pad securely to the frame and in the correct position prior to using the trampoline.

Disassembly

To disassemble your JumpSport Safety Enclosure, follow the assembly steps in reverse order.



*For more information about the SureStep Trampoline Ladder, the ProFlex Basketball Set, the BounceBoard Extreme, and other great trampoline accessories, visit our website at www.jumpsport.com